

PRODUCT DATA SHEET

LED CEILING MODULE | 15W



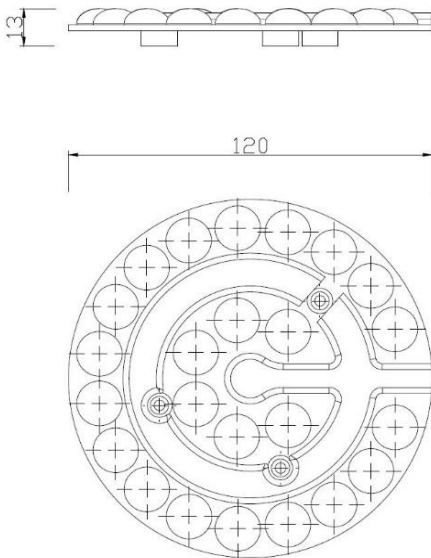
FEATURES:

Brand	Superlight
Wattage	15W
Voltage	220-240V AC
Lifetime	25.000 hours
CRI%	>80
Luminous Flux	1500Lm
Ta	40°C
Tc	70°C
Colour	4000/6500K
Dimensions	φ120x13mm
Warranty	One year

Model Number

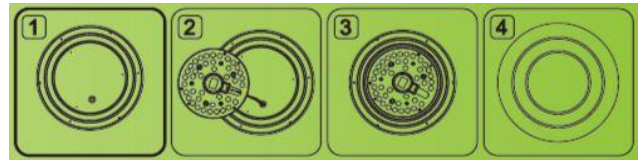
LED SP-PM 15w

Dimensions

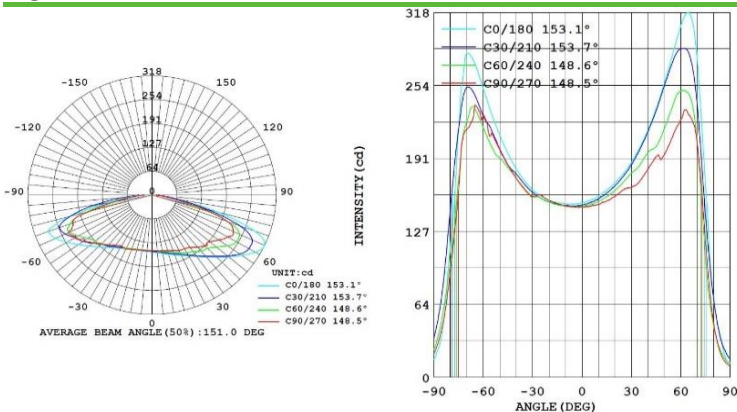


Instruction

- Step 1: Turn off electric, remove fluorescent lamp and related components.
- Step 2: Put the wire in the wirehole, then connect it.
- Step 3: Put the LED module on the back plate of ceiling lamp, then connect directly by magnet.
- Step 4: Put the cover on.



Light Distribution Curve



Lux-Distance Curve

