

Luminaire Property

Luminaire: DL SQ 32W

Report NO.:

Test NO.:

Lamp: 2835

Sum Lumens: 3400.16 lm

Number of Lamps: 168

Diameter: mm

Length: 220mm

Photometric Type: Type C

Voltage: 220.9 V

Current: 0.273 A

Power: 28.5 W

Power Factor: 0.951

Ballast Type:

Width: 220mm

Height: 30mm

Remark:

Photometric Results

Lumens: 3400.16 lm

Effective luminous flux: 3347.82 lm

Efficiency: N.A

Central Intensity: 1431.27cd

Maximum Intensity: 1446.cd

Beam Angle(10%): Left: -71.8 Right:72.7

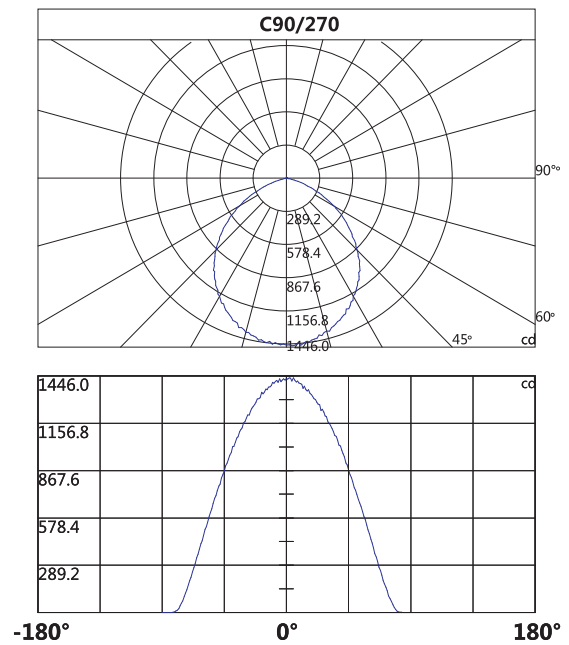
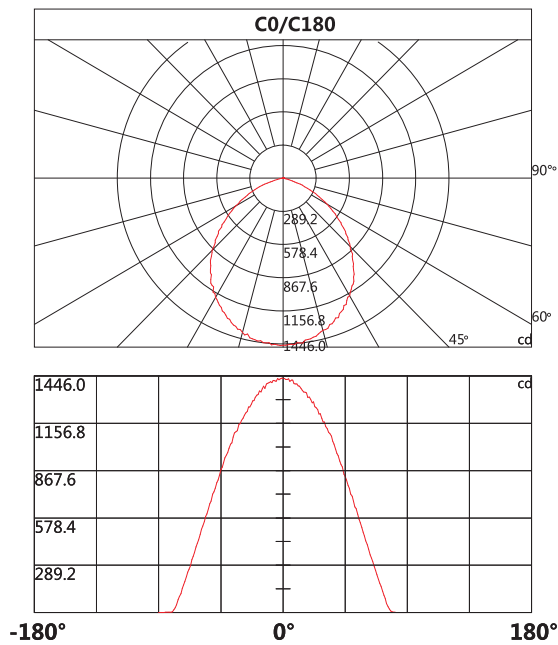
Angle of maximum intensity: C:210.0 G:4.0

Half Peak Side Angle(50%): Left: -50.7 Right:51.6

Light Out Rate(LOR) : 100.00%

Up Flux Rate: 0.0%

Down Flux Rate: 100.0%



Photometric Data Table [cd]

C\G	0.0	1.0	2.0	3.0	4.0	5.0	6.0	7.0	8.0	9.0
0.0	1431.3	1431.0	1425.7	1424.6	1427.8	1413.9	1420.3	1420.3	1400.0	1396.8
30.0	1431.3	1437.4	1430.0	1424.6	1438.5	1420.3	1422.5	1432.1	1420.3	1416.0
60.0	1431.3	1437.4	1430.0	1424.6	1438.5	1420.3	1422.5	1432.1	1420.3	1416.0
90.0	1431.3	1426.7	1435.3	1433.2	1415.0	1434.2	1421.4	1408.6	1415.0	1403.2
120.0	1431.3	1426.7	1435.3	1433.2	1415.0	1434.2	1421.4	1408.6	1415.0	1403.2
150.0	1431.3	1433.2	1428.9	1423.5	1431.0	1412.8	1417.1	1418.2	1405.4	1410.7
180.0	1431.3	1433.2	1428.9	1423.5	1431.0	1412.8	1417.1	1418.2	1405.4	1410.7
210.0	1431.3	1442.8	1427.8	1442.8	1446.0	1421.4	1434.2	1417.1	1408.6	1419.3
240.0	1431.3	1442.8	1427.8	1442.8	1446.0	1421.4	1434.2	1417.1	1408.6	1419.3
270.0	1431.3	1420.3	1428.9	1420.3	1411.8	1427.8	1406.4	1419.3	1413.9	1401.1
300.0	1431.3	1420.3	1428.9	1420.3	1411.8	1427.8	1406.4	1419.3	1413.9	1401.1
330.0	1431.3	1431.0	1425.7	1424.6	1427.8	1413.9	1420.3	1420.3	1400.0	1396.8
360.0	1431.3	1431.0	1425.7	1424.6	1427.8	1413.9	1420.3	1420.3	1400.0	1396.8

C\G	10.0	11.0	12.0	13.0	14.0	15.0	16.0	17.0	18.0	19.0
0.0	1396.8	1386.1	1384.0	1369.0	1358.3	1348.7	1347.6	1342.3	1316.6	1317.7
30.0	1412.8	1398.9	1401.1	1382.9	1387.2	1378.6	1356.2	1359.4	1343.3	1329.4
60.0	1412.8	1398.9	1401.1	1382.9	1387.2	1378.6	1356.2	1359.4	1343.3	1329.4
90.0	1398.9	1395.7	1371.1	1382.9	1361.5	1355.1	1362.6	1339.0	1332.6	1320.9
120.0	1398.9	1395.7	1371.1	1382.9	1361.5	1355.1	1362.6	1339.0	1332.6	1320.9
150.0	1405.4	1401.1	1396.8	1371.1	1385.0	1367.9	1348.7	1354.0	1333.7	1329.4
180.0	1405.4	1401.1	1396.8	1371.1	1385.0	1367.9	1348.7	1354.0	1333.7	1329.4
210.0	1396.8	1402.1	1386.1	1378.6	1379.7	1355.1	1366.9	1350.8	1329.4	1331.6
240.0	1396.8	1402.1	1386.1	1378.6	1379.7	1355.1	1366.9	1350.8	1329.4	1331.6
270.0	1407.5	1388.2	1380.8	1378.6	1362.6	1366.9	1347.6	1336.9	1346.5	1313.4
300.0	1407.5	1388.2	1380.8	1378.6	1362.6	1366.9	1347.6	1336.9	1346.5	1313.4
330.0	1396.8	1386.1	1384.0	1369.0	1358.3	1348.7	1347.6	1342.3	1316.6	1317.7
360.0	1396.8	1386.1	1384.0	1369.0	1358.3	1348.7	1347.6	1342.3	1316.6	1317.7

C\G	20.0	21.0	22.0	23.0	24.0	25.0	26.0	27.0	28.0	29.0
0.0	1303.8	1281.3	1287.7	1258.8	1252.4	1240.6	1213.9	1215.0	1186.1	1164.7
30.0	1330.5	1304.8	1294.1	1287.7	1264.2	1268.4	1244.9	1220.3	1223.5	1193.6
60.0	1330.5	1304.8	1294.1	1287.7	1264.2	1268.4	1244.9	1220.3	1223.5	1193.6
90.0	1307.0	1301.6	1286.6	1274.9	1270.6	1235.3	1242.8	1225.7	1201.1	1196.8
120.0	1307.0	1301.6	1286.6	1274.9	1270.6	1235.3	1242.8	1225.7	1201.1	1196.8
150.0	1315.5	1295.2	1294.1	1273.8	1257.8	1255.6	1229.9	1220.3	1205.3	1187.2
180.0	1315.5	1295.2	1294.1	1273.8	1257.8	1255.6	1229.9	1220.3	1205.3	1187.2
210.0	1309.1	1295.2	1290.9	1270.6	1270.6	1249.2	1226.7	1229.9	1198.9	1185.0
240.0	1309.1	1295.2	1290.9	1270.6	1270.6	1249.2	1226.7	1229.9	1198.9	1185.0
270.0	1307.0	1305.9	1286.6	1271.7	1258.8	1248.1	1231.0	1207.5	1208.6	1187.2
300.0	1307.0	1305.9	1286.6	1271.7	1258.8	1248.1	1231.0	1207.5	1208.6	1187.2
330.0	1303.8	1281.3	1287.7	1258.8	1252.4	1240.6	1213.9	1215.0	1186.1	1164.7
360.0	1303.8	1281.3	1287.7	1258.8	1252.4	1240.6	1213.9	1215.0	1186.1	1164.7

Photometric Data Table [cd]

C\G	30.0	31.0	32.0	33.0	34.0	35.0	36.0	37.0	38.0	39.0
0.0	1164.7	1138.0	1123.0	1102.7	1094.1	1078.1	1046.0	1030.0	998.9	973.3
30.0	1194.7	1165.8	1154.0	1141.2	1108.0	1107.0	1080.2	1050.3	1042.8	1018.2
60.0	1194.7	1165.8	1154.0	1141.2	1108.0	1107.0	1080.2	1050.3	1042.8	1018.2
90.0	1163.6	1157.2	1142.3	1124.1	1107.0	1082.4	1077.0	1053.5	1024.6	1018.2
120.0	1163.6	1157.2	1142.3	1124.1	1107.0	1082.4	1077.0	1053.5	1024.6	1018.2
150.0	1175.4	1154.0	1150.8	1111.2	1105.9	1098.4	1072.7	1037.4	1030.0	1004.3
180.0	1175.4	1154.0	1150.8	1111.2	1105.9	1098.4	1072.7	1037.4	1030.0	1004.3
210.0	1178.6	1149.7	1135.8	1115.5	1102.7	1084.5	1056.7	1051.3	1027.8	997.9
240.0	1178.6	1149.7	1135.8	1115.5	1102.7	1084.5	1056.7	1051.3	1027.8	997.9
270.0	1167.9	1158.3	1130.5	1118.7	1105.9	1074.9	1067.4	1043.9	1015.0	1013.9
300.0	1167.9	1158.3	1130.5	1118.7	1105.9	1074.9	1067.4	1043.9	1015.0	1013.9
330.0	1164.7	1138.0	1123.0	1102.7	1094.1	1078.1	1046.0	1030.0	998.9	973.3
360.0	1164.7	1138.0	1123.0	1102.7	1094.1	1078.1	1046.0	1030.0	998.9	973.3

C\G	40.0	41.0	42.0	43.0	44.0	45.0	46.0	47.0	48.0	49.0
0.0	958.3	926.2	904.8	889.8	846.0	831.0	809.6	776.5	759.4	725.1
30.0	998.9	988.2	960.4	931.6	907.0	888.8	866.3	828.9	817.1	787.2
60.0	998.9	988.2	960.4	931.6	907.0	888.8	866.3	828.9	817.1	787.2
90.0	991.4	970.1	954.0	914.4	901.6	872.7	840.6	826.7	800.0	763.6
120.0	991.4	970.1	954.0	914.4	901.6	872.7	840.6	826.7	800.0	763.6
150.0	978.6	962.6	945.5	915.5	888.8	875.9	838.5	809.6	794.7	759.4
180.0	978.6	962.6	945.5	915.5	888.8	875.9	838.5	809.6	794.7	759.4
210.0	991.4	956.1	936.9	920.9	883.4	863.1	841.7	824.6	791.5	762.6
240.0	991.4	956.1	936.9	920.9	883.4	863.1	841.7	824.6	791.5	762.6
270.0	978.6	961.5	936.9	913.4	897.3	863.1	846.0	821.4	785.0	773.3
300.0	978.6	961.5	936.9	913.4	897.3	863.1	846.0	821.4	785.0	773.3
330.0	958.3	926.2	904.8	889.8	846.0	831.0	809.6	776.5	759.4	725.1
360.0	958.3	926.2	904.8	889.8	846.0	831.0	809.6	776.5	759.4	725.1

C\G	50.0	51.0	52.0	53.0	54.0	55.0	56.0	57.0	58.0	59.0
0.0	711.2	680.2	646.0	635.3	600.0	571.1	549.7	517.7	492.0	467.4
30.0	757.2	746.5	709.1	685.6	663.1	622.5	602.1	571.1	535.8	518.7
60.0	757.2	746.5	709.1	685.6	663.1	622.5	602.1	571.1	535.8	518.7
90.0	747.6	721.9	690.9	668.4	649.2	617.1	588.2	571.1	534.8	504.8
120.0	747.6	721.9	690.9	668.4	649.2	617.1	588.2	571.1	534.8	504.8
150.0	736.9	723.0	681.3	665.2	635.3	602.1	586.1	555.1	527.3	508.0
180.0	736.9	723.0	681.3	665.2	635.3	602.1	586.1	555.1	527.3	508.0
210.0	747.6	712.3	686.6	668.4	632.1	611.8	585.0	544.4	528.4	498.4
240.0	747.6	712.3	686.6	668.4	632.1	611.8	585.0	544.4	528.4	498.4
270.0	744.4	714.4	699.5	665.2	633.2	612.8	589.3	551.9	524.1	509.1
300.0	744.4	714.4	699.5	665.2	633.2	612.8	589.3	551.9	524.1	509.1
330.0	711.2	680.2	646.0	635.3	600.0	571.1	549.7	517.7	492.0	467.4
360.0	711.2	680.2	646.0	635.3	600.0	571.1	549.7	517.7	492.0	467.4

Photometric Data Table [cd]

C\G	60.0	61.0	62.0	63.0	64.0	65.0	66.0	67.0	68.0	69.0
0.0	437.4	416.0	387.2	351.9	333.7	310.2	280.2	256.7	231.0	201.1
30.0	485.6	453.5	431.0	402.1	369.0	343.3	318.7	287.7	257.7	236.4
60.0	485.6	453.5	431.0	402.1	369.0	343.3	318.7	287.7	257.7	236.4
90.0	484.5	448.1	423.5	395.7	360.4	339.0	310.2	277.0	255.6	228.9
120.0	484.5	448.1	423.5	395.7	360.4	339.0	310.2	277.0	255.6	228.9
150.0	477.0	443.8	422.5	401.1	366.8	341.2	321.9	288.8	263.1	246.0
180.0	477.0	443.8	422.5	401.1	366.8	341.2	321.9	288.8	263.1	246.0
210.0	459.9	441.7	412.8	377.5	349.7	328.3	294.1	265.2	249.2	216.0
240.0	459.9	441.7	412.8	377.5	349.7	328.3	294.1	265.2	249.2	216.0
270.0	468.4	437.4	420.3	385.0	357.2	335.8	296.3	274.9	251.3	216.0
300.0	468.4	437.4	420.3	385.0	357.2	335.8	296.3	274.9	251.3	216.0
330.0	437.4	416.0	387.2	351.9	333.7	310.2	280.2	256.7	231.0	201.1
360.0	437.4	416.0	387.2	351.9	333.7	310.2	280.2	256.7	231.0	201.1

C\G	70.0	71.0	72.0	73.0	74.0	75.0	76.0	77.0	78.0	79.0
0.0	178.6	159.4	128.3	105.9	85.6	54.6	35.3	21.4	8.5	3.2
30.0	213.9	177.5	161.5	135.8	109.1	89.8	67.4	48.1	31.0	22.5
60.0	213.9	177.5	161.5	135.8	109.1	89.8	67.4	48.1	31.0	22.5
90.0	196.8	176.5	154.0	132.6	102.7	83.4	67.4	46.0	31.0	19.3
120.0	196.8	176.5	154.0	132.6	102.7	83.4	67.4	46.0	31.0	19.3
150.0	219.2	189.3	169.0	145.5	115.5	98.4	78.1	47.1	30.0	17.1
180.0	219.2	189.3	169.0	145.5	115.5	98.4	78.1	47.1	30.0	17.1
210.0	187.2	170.1	139.0	117.6	99.5	69.5	55.6	38.5	20.3	12.8
240.0	187.2	170.1	139.0	117.6	99.5	69.5	55.6	38.5	20.3	12.8
270.0	195.7	170.1	139.0	119.8	98.4	70.6	55.6	40.6	23.5	13.9
300.0	195.7	170.1	139.0	119.8	98.4	70.6	55.6	40.6	23.5	13.9
330.0	178.6	159.4	128.3	105.9	85.6	54.6	35.3	21.4	8.5	3.2
360.0	178.6	159.4	128.3	105.9	85.6	54.6	35.3	21.4	8.5	3.2

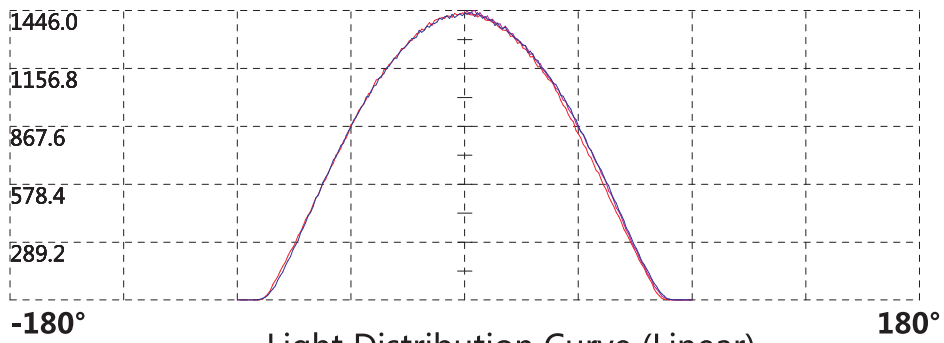
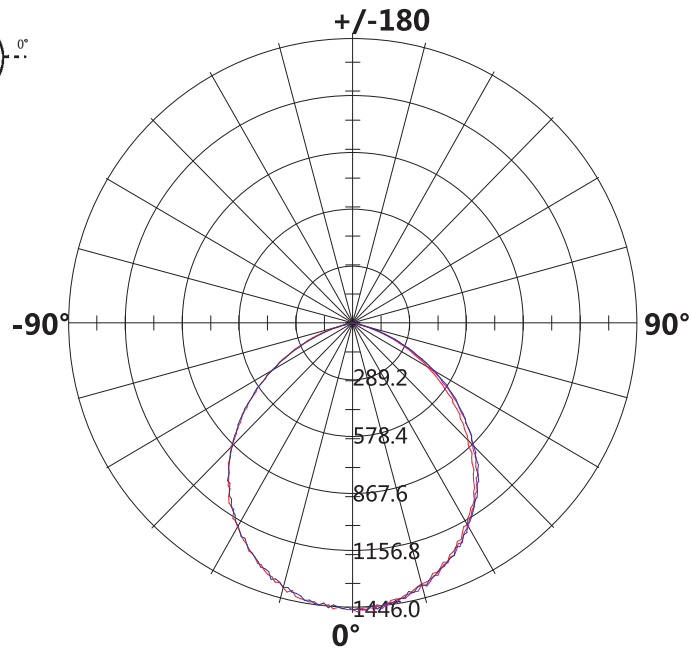
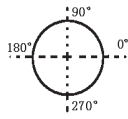
C\G	80.0	81.0	82.0	83.0	84.0	85.0	86.0	87.0	88.0	89.0
0.0	2.1	1.1	0.5	0.0	0.0	0.0	0.0	0.0	0.0	0.0
30.0	10.7	6.4	4.3	3.2	2.1	1.1	1.1	0.0	0.0	0.0
60.0	10.7	6.4	4.3	3.2	2.1	1.1	1.1	0.0	0.0	0.0
90.0	7.5	4.3	2.1	1.1	0.0	0.0	0.0	0.0	0.0	0.0
120.0	7.5	4.3	2.1	1.1	0.0	0.0	0.0	0.0	0.0	0.0
150.0	4.3	2.1	1.1	1.1	1.1	1.1	0.0	0.0	0.0	0.0
180.0	4.3	2.1	1.1	1.1	1.1	1.1	0.0	0.0	0.0	0.0
210.0	7.5	3.2	1.1	1.1	0.0	0.0	0.0	0.0	0.0	0.0
240.0	7.5	3.2	1.1	1.1	0.0	0.0	0.0	0.0	0.0	0.0
270.0	8.5	3.2	1.1	0.5	0.0	0.0	0.0	0.0	0.0	0.0
300.0	8.5	3.2	1.1	0.5	0.0	0.0	0.0	0.0	0.0	0.0
330.0	2.1	1.1	0.5	0.0	0.0	0.0	0.0	0.0	0.0	0.0
360.0	2.1	1.1	0.5	0.0	0.0	0.0	0.0	0.0	0.0	0.0

Photometric Data Table [cd]

C\G	90.0
0.0	0.0
30.0	0.0
60.0	0.0
90.0	1.1
120.0	1.1
150.0	0.0
180.0	0.0
210.0	0.0
240.0	0.0
270.0	0.0
300.0	0.0
330.0	0.0
360.0	0.0

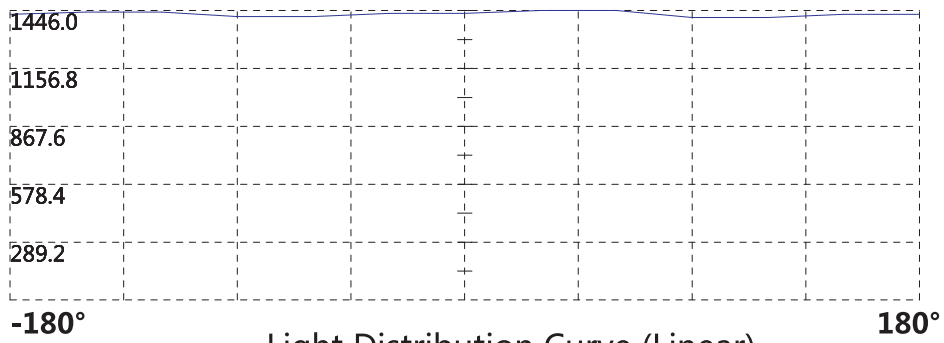
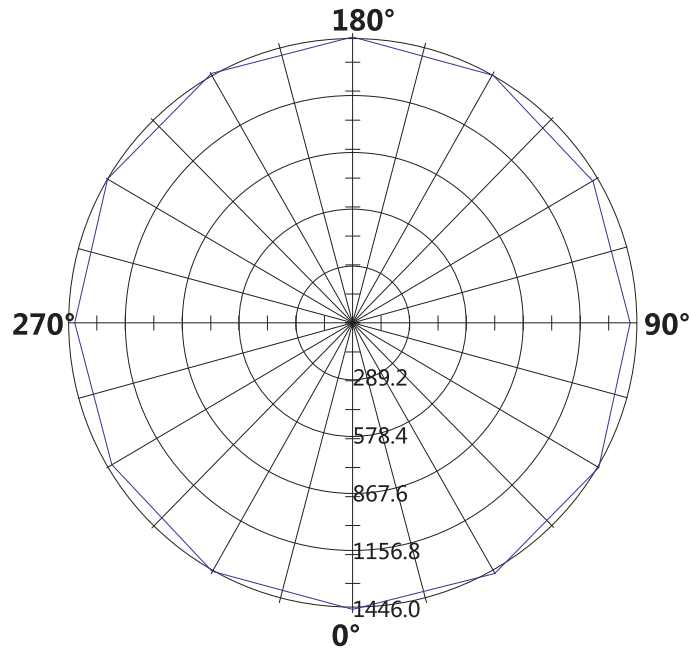
Light Distribution Curve [Unit: cd]

Luminaire

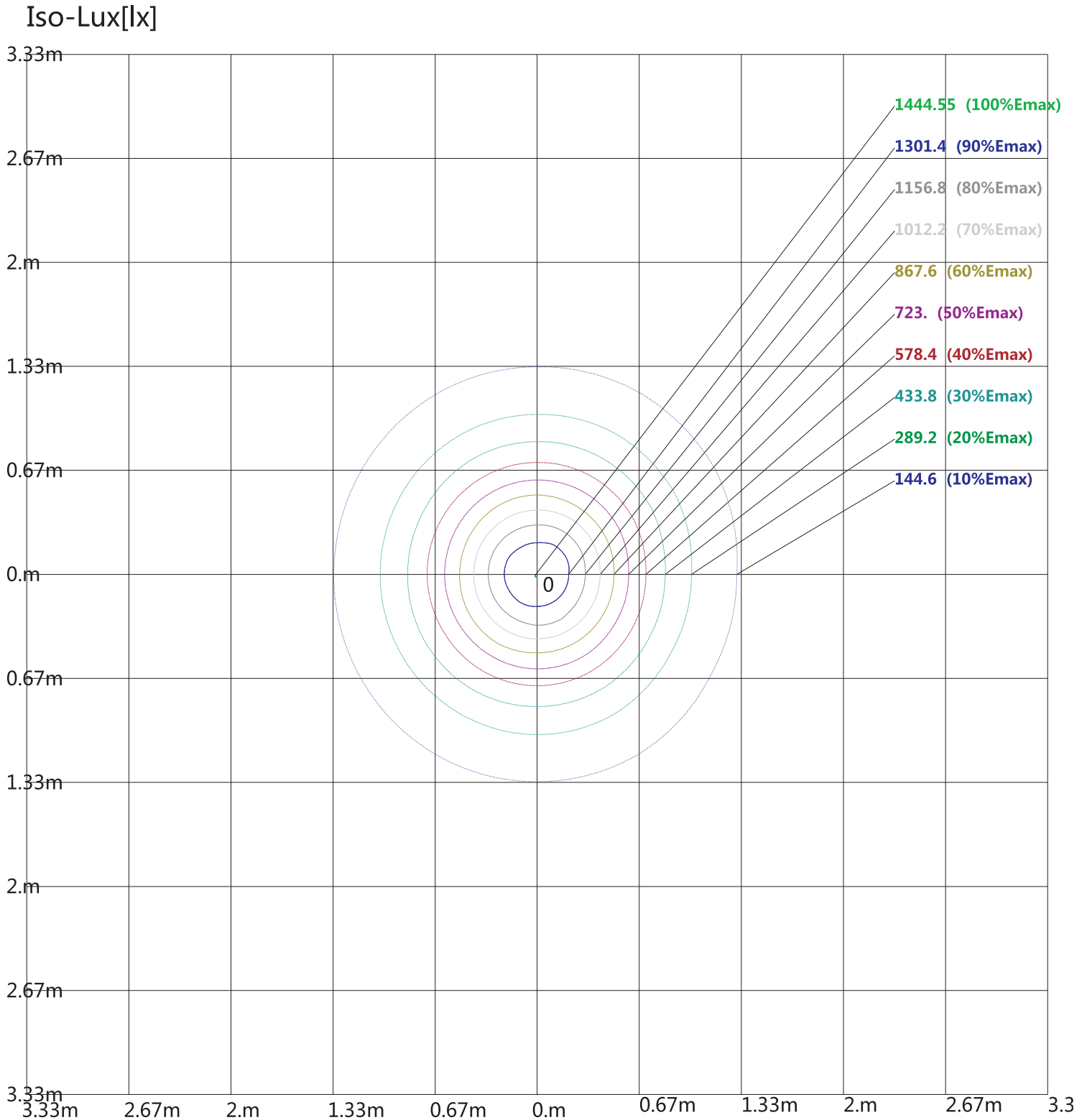


(cd) | C0/C180: — C90/C270: — C210: —

Max Plane Light Distribution Curve [Unit: cd]



(cd) | γ_4 : —



Height: 1 m
Max Illuminance : 1446.lx

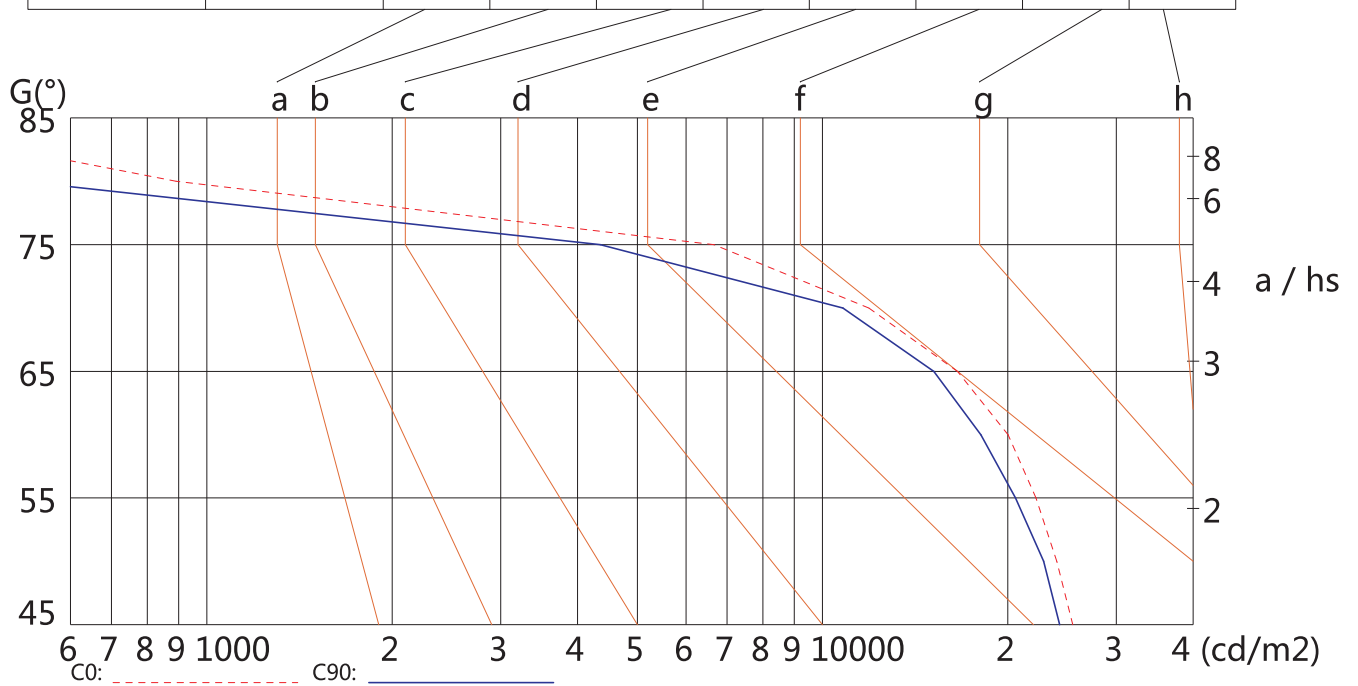
Luminance Limiting Curve

Diameter: mm
Length: 220mm
Width: 220mm
Height: 30mm

(cd/m²)

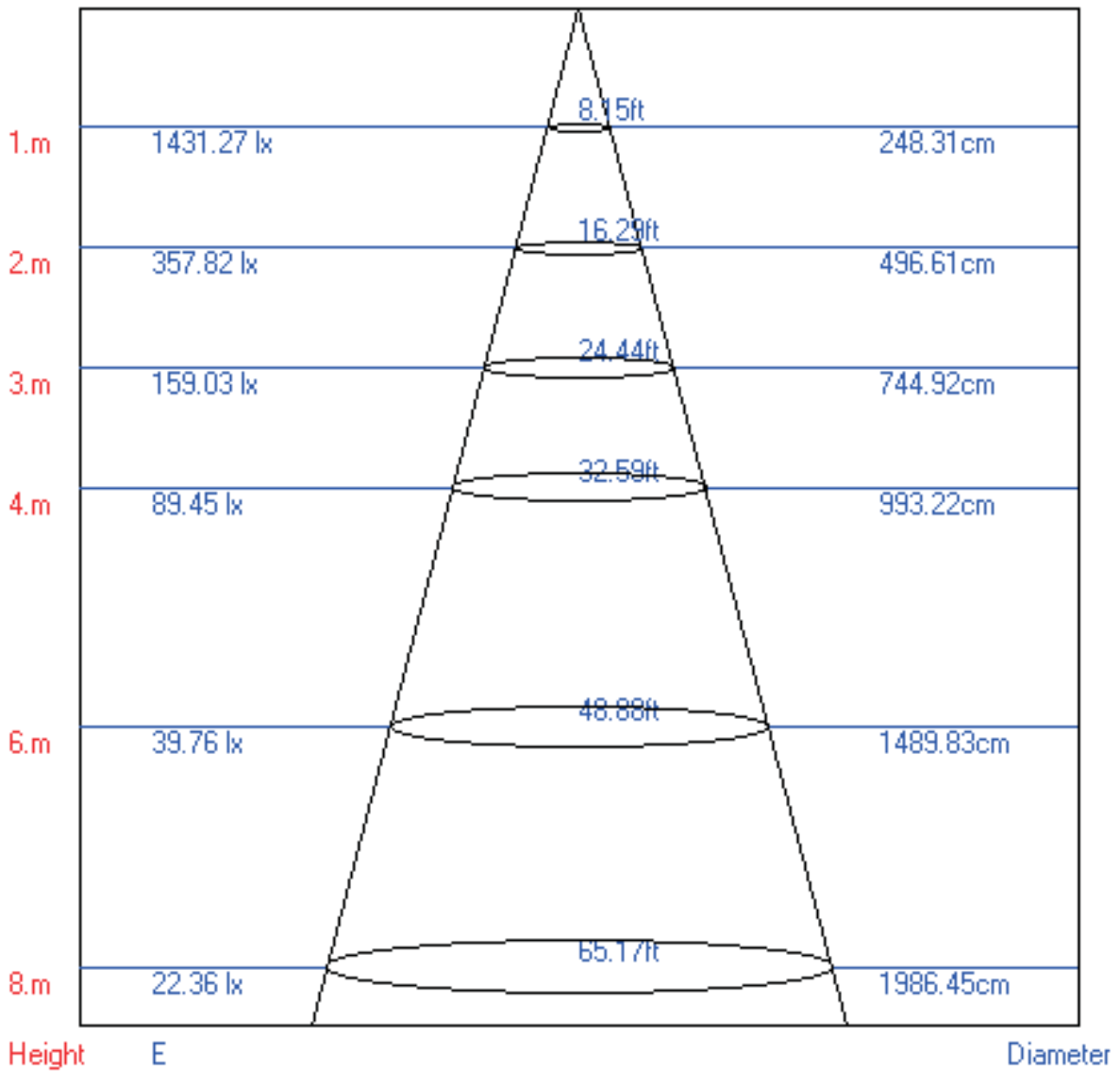
γ	45°	50°	55°	60°	65°	70°	75°	80°	85°
C0	25501	24030	22229	20020	16575	11888	6659	890	
C90	24282	22861	20573	18076	15164	10790	4355	255	

Glare	Quality	Service Values Illuminance (lx)							
1.15	A	2000	1000	500	≤300				
1.5	B		2000	1000	500	≤300			
1.85	C			2000	1000	500	≤300		
2.2	D				2000	1000	500	≤300	
2.55	E					2000	1000	500	≤300



Lum. Limiting Curve (C0/C90)

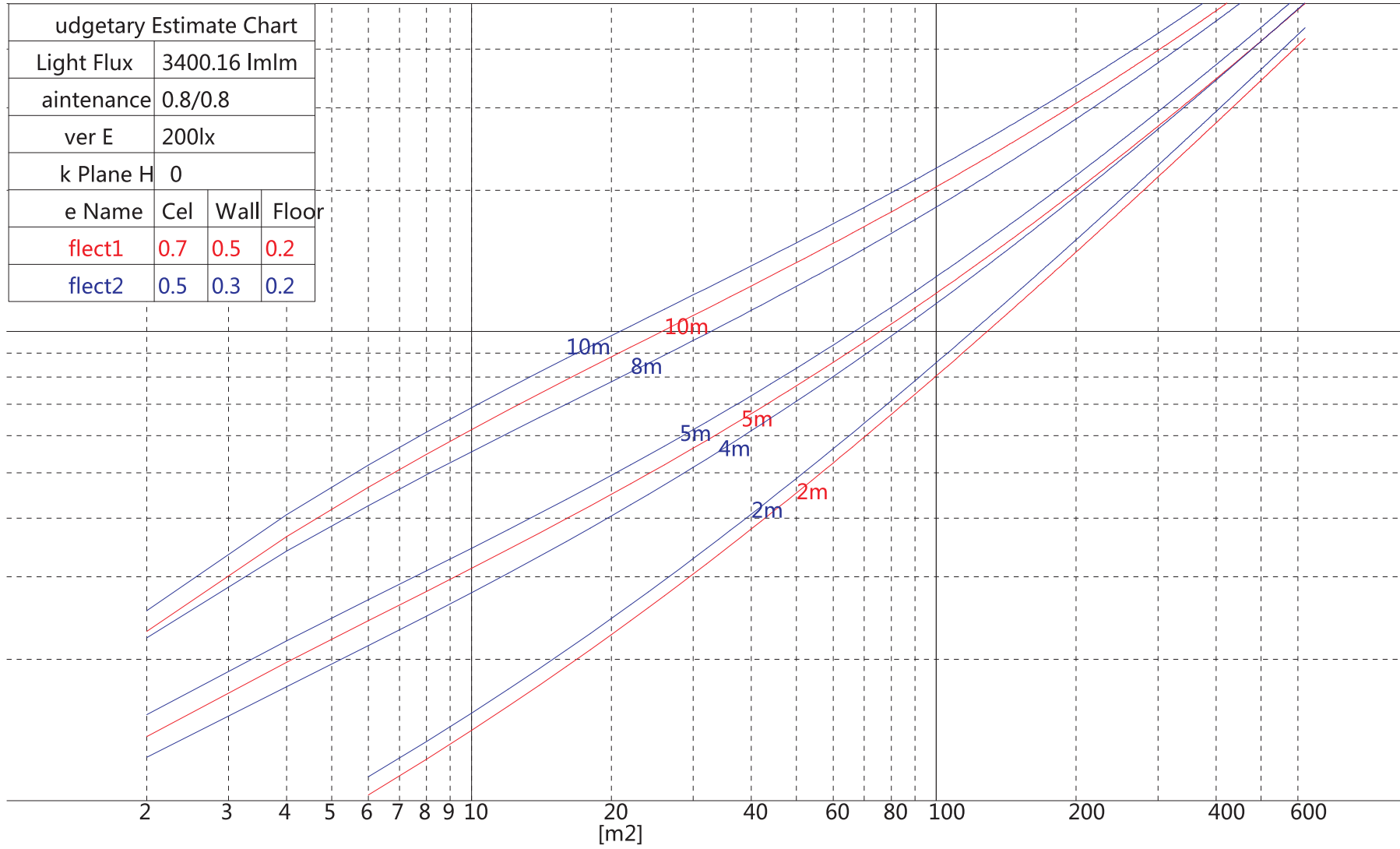
Lux-Distance Curve



Beam Angle:102.30

Utilization Coefficient Table

RHOCC	80			70			50			30			10			0
RHOW	50	30	10	50	30	10	50	30	10	50	30	10	50	30	10	0
RCR	COEFFICIENTS OF UTILIZATION FOR RHOFC=20															
0	1.19	1.19	1.19	1.16	1.16	1.16	1.11	1.11	1.11	1.06	1.06	1.06	1.02	1.02	1.02	1.00
1	1.08	1.06	1.05	1.06	1.05	1.03	1.03	1.01	0.99	0.98	0.96	0.94	0.91	0.89	0.87	0.82
2	0.94	0.92	0.90	0.93	0.90	0.88	0.90	0.87	0.85	0.87	0.83	0.80	0.82	0.78	0.75	0.70
3	0.82	0.79	0.77	0.81	0.78	0.76	0.80	0.76	0.73	0.77	0.73	0.69	0.73	0.69	0.65	0.60
4	0.71	0.69	0.67	0.71	0.68	0.66	0.71	0.66	0.63	0.69	0.64	0.60	0.66	0.61	0.56	0.52
5	0.63	0.60	0.58	0.63	0.60	0.57	0.63	0.58	0.55	0.62	0.56	0.52	0.60	0.54	0.49	0.46
6	0.56	0.53	0.52	0.56	0.53	0.51	0.57	0.52	0.48	0.56	0.50	0.46	0.55	0.49	0.44	0.40
7	0.50	0.47	0.46	0.51	0.47	0.45	0.51	0.46	0.43	0.51	0.45	0.41	0.50	0.44	0.39	0.36
8	0.45	0.43	0.41	0.46	0.42	0.40	0.47	0.42	0.39	0.47	0.41	0.37	0.47	0.40	0.35	0.32
9	0.41	0.38	0.37	0.42	0.38	0.36	0.43	0.38	0.35	0.43	0.37	0.33	0.43	0.37	0.32	0.29
10	0.37	0.35	0.34	0.38	0.35	0.33	0.39	0.35	0.32	0.40	0.34	0.30	0.40	0.34	0.29	0.26



UGR Glare Index

Ceiling		70	70	50	50	30	70	70	50	50	30
Wall		50	30	50	30	30	50	30	50	30	30
Floor		20	20	20	20	20	20	20	20	20	20
Room Size		Weft to light axis direction of observation					Direction of light axis parallel observation				
	X Y										
2H	2H	14.7	16.0	14.9	15.9	16.5	14.7	15.9	14.8	16.0	16.5
	3H	16.3	17.4	16.7	17.9	17.9	16.2	17.4	16.4	17.8	18.0
	4H	16.9	18.1	17.4	18.7	18.8	16.9	18.1	17.3	18.5	18.8
	6H	17.6	18.5	18.0	18.9	18.9	17.4	18.3	17.8	18.9	19.0
	8H	17.8	18.9	18.1	19.0	19.3	17.7	18.7	17.9	19.0	19.3
	12H	17.9	18.8	18.1	19.2	19.5	17.7	18.7	18.1	19.2	19.6
4H	2H	15.7	16.6	15.9	16.8	17.0	15.6	16.6	15.8	16.9	17.0
	3H	17.5	18.4	17.7	18.4	18.8	17.3	18.2	17.6	18.3	18.7
	4H	18.3	18.9	18.5	19.1	19.5	18.0	18.9	18.4	19.1	19.6
	6H	18.8	19.5	19.1	19.8	20.2	18.7	19.5	18.9	19.7	20.0
	8H	19.0	19.7	19.4	20.0	20.3	19.0	19.5	19.3	20.0	20.3
	12H	19.2	19.8	19.7	20.0	20.5	19.1	19.8	19.5	20.1	20.5
8H	4H	18.5	19.2	18.8	19.4	19.8	18.5	19.1	18.7	19.4	19.8
	6H	19.3	19.8	19.8	20.2	20.6	19.2	19.7	19.6	20.2	20.5
	8H	19.8	20.2	20.2	20.5	20.9	19.6	20.0	20.1	20.4	21.0
	12H	20.0	20.4	20.4	20.9	21.1	19.8	20.3	20.3	20.8	21.2
12H	4H	18.6	19.2	19.1	19.6	19.8	18.5	19.0	18.9	19.4	19.8
	6H	19.5	20.0	19.9	20.2	20.7	19.4	19.9	19.8	20.2	20.6
	8H	19.9	20.3	20.4	20.5	21.1	19.8	20.2	20.3	20.6	21.0