

Luminaire Property

Luminaire: DL RD 32W

Report NO.:

Test NO.:

Lamp: 2835

Sum Lumens: 3356.99 lm

Number of Lamps: 168

Diameter: 220mm

Length: mm

Photometric Type: Type C

Voltage: 220.9 V

Current: 0.258 A

Power: 27.1 W

Power Factor: 0.953

Ballast Type:

Width: mm

Height: 30mm

Remark:

Photometric Results

Lumens: 3356.99 lm

Effective luminous flux: 3305.35 lm

Efficiency: N.A

Central Intensity: 1436.531cd

Maximum Intensity: 1456.694cd

Beam Angle(10%): Left: -71.5 Right:72.1

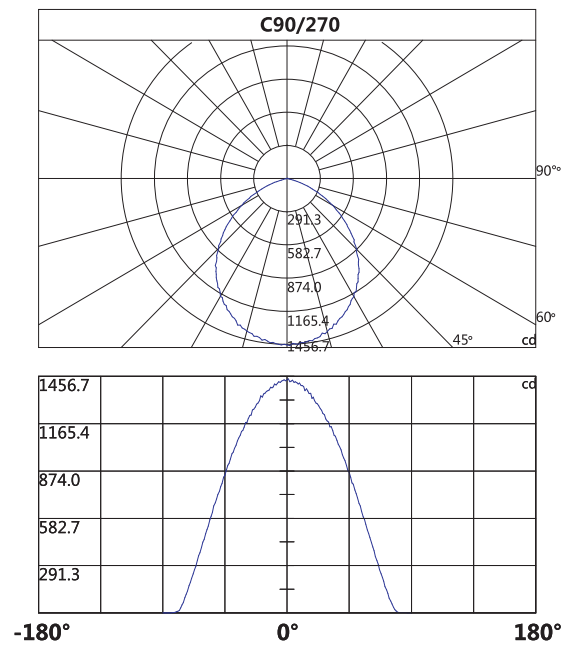
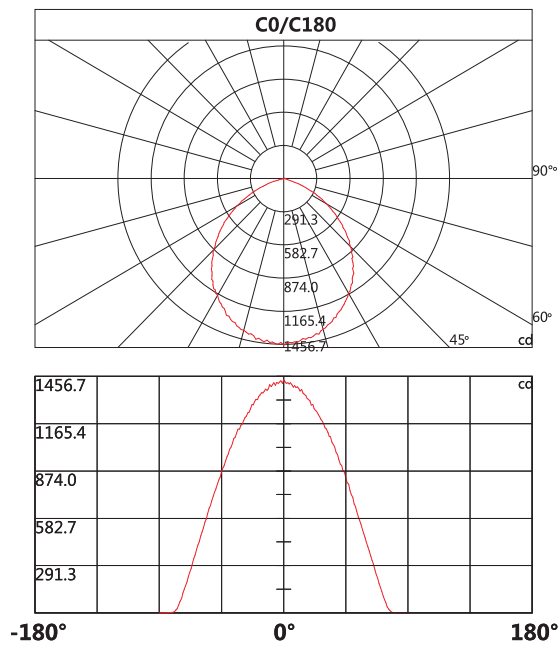
Angle of maximum intensity: C:30.0 G:2.0

Half Peak Side Angle(50%): Left: -50.1 Right:50.8

Light Out Rate(LOR) : 100.00%

Up Flux Rate: 0.0%

Down Flux Rate: 100.0%



Photometric Data Table [cd]

C\G	0.0	1.0	2.0	3.0	4.0	5.0	6.0	7.0	8.0	9.0
0.0	1436.5	1423.5	1412.8	1417.1	1409.6	1417.1	1404.3	1390.4	1398.9	1388.2
30.0	1436.5	1442.8	1456.7	1452.4	1436.4	1450.3	1433.2	1432.1	1430.0	1416.0
60.0	1436.5	1442.8	1456.7	1452.4	1436.4	1450.3	1433.2	1432.1	1430.0	1416.0
90.0	1436.5	1441.7	1423.5	1427.8	1433.2	1419.3	1423.5	1417.1	1410.7	1416.0
120.0	1436.5	1441.7	1423.5	1427.8	1433.2	1419.3	1423.5	1417.1	1410.7	1416.0
150.0	1436.5	1412.8	1430.0	1422.5	1413.9	1419.3	1402.1	1417.1	1406.4	1393.6
180.0	1436.5	1412.8	1430.0	1422.5	1413.9	1419.3	1402.1	1417.1	1406.4	1393.6
210.0	1436.5	1444.9	1441.7	1442.8	1434.2	1443.9	1432.1	1435.3	1435.3	1413.9
240.0	1436.5	1444.9	1441.7	1442.8	1434.2	1443.9	1432.1	1435.3	1435.3	1413.9
270.0	1436.5	1430.0	1436.4	1431.0	1427.8	1419.3	1424.6	1412.8	1403.2	1409.6
300.0	1436.5	1430.0	1436.4	1431.0	1427.8	1419.3	1424.6	1412.8	1403.2	1409.6
330.0	1436.5	1423.5	1412.8	1417.1	1409.6	1417.1	1404.3	1390.4	1398.9	1388.2
360.0	1436.5	1423.5	1412.8	1417.1	1409.6	1417.1	1404.3	1390.4	1398.9	1388.2

C\G	10.0	11.0	12.0	13.0	14.0	15.0	16.0	17.0	18.0	19.0
0.0	1392.5	1382.9	1366.9	1376.5	1355.1	1346.5	1338.0	1320.9	1314.4	1305.9
30.0	1423.5	1405.4	1392.5	1404.3	1380.8	1380.8	1375.4	1357.2	1358.3	1339.0
60.0	1423.5	1405.4	1392.5	1404.3	1380.8	1380.8	1375.4	1357.2	1358.3	1339.0
90.0	1401.1	1400.0	1393.6	1367.9	1380.8	1366.9	1350.8	1351.9	1321.9	1328.4
120.0	1401.1	1400.0	1393.6	1367.9	1380.8	1366.9	1350.8	1351.9	1321.9	1328.4
150.0	1405.4	1380.8	1370.1	1377.5	1363.6	1354.0	1356.2	1343.3	1333.7	1313.4
180.0	1405.4	1380.8	1370.1	1377.5	1363.6	1354.0	1356.2	1343.3	1333.7	1313.4
210.0	1421.4	1411.8	1393.6	1400.0	1379.7	1372.2	1364.7	1345.5	1354.0	1329.4
240.0	1421.4	1411.8	1393.6	1400.0	1379.7	1372.2	1364.7	1345.5	1354.0	1329.4
270.0	1392.5	1386.1	1390.4	1372.2	1369.0	1363.6	1352.9	1348.7	1328.4	1336.9
300.0	1392.5	1386.1	1390.4	1372.2	1369.0	1363.6	1352.9	1348.7	1328.4	1336.9
330.0	1392.5	1382.9	1366.9	1376.5	1355.1	1346.5	1338.0	1320.9	1314.4	1305.9
360.0	1392.5	1382.9	1366.9	1376.5	1355.1	1346.5	1338.0	1320.9	1314.4	1305.9

C\G	20.0	21.0	22.0	23.0	24.0	25.0	26.0	27.0	28.0	29.0
0.0	1280.2	1283.4	1258.8	1248.1	1239.6	1222.5	1208.6	1193.6	1178.6	1163.6
30.0	1331.6	1321.9	1296.3	1301.6	1280.2	1253.5	1253.5	1229.9	1218.2	1209.6
60.0	1331.6	1321.9	1296.3	1301.6	1280.2	1253.5	1253.5	1229.9	1218.2	1209.6
90.0	1307.0	1292.0	1287.7	1274.9	1257.8	1248.1	1228.9	1220.3	1194.7	1182.9
120.0	1307.0	1292.0	1287.7	1274.9	1257.8	1248.1	1228.9	1220.3	1194.7	1182.9
150.0	1314.4	1301.6	1281.3	1283.4	1256.7	1235.3	1232.1	1210.7	1203.2	1185.0
180.0	1314.4	1301.6	1281.3	1283.4	1256.7	1235.3	1232.1	1210.7	1203.2	1185.0
210.0	1312.3	1312.3	1286.6	1277.0	1268.4	1254.5	1236.4	1216.0	1211.8	1194.7
240.0	1312.3	1312.3	1286.6	1277.0	1268.4	1254.5	1236.4	1216.0	1211.8	1194.7
270.0	1308.0	1290.9	1286.6	1268.4	1254.5	1249.2	1219.3	1217.1	1197.9	1174.3
300.0	1308.0	1290.9	1286.6	1268.4	1254.5	1249.2	1219.3	1217.1	1197.9	1174.3
330.0	1280.2	1283.4	1258.8	1248.1	1239.6	1222.5	1208.6	1193.6	1178.6	1163.6
360.0	1280.2	1283.4	1258.8	1248.1	1239.6	1222.5	1208.6	1193.6	1178.6	1163.6

Photometric Data Table [cd]

C\G	30.0	31.0	32.0	33.0	34.0	35.0	36.0	37.0	38.0	39.0
0.0	1139.0	1133.7	1111.2	1088.8	1084.5	1050.3	1037.4	1023.5	985.0	976.5
30.0	1176.5	1172.2	1148.7	1139.0	1119.8	1089.8	1088.8	1056.7	1034.2	1024.6
60.0	1176.5	1172.2	1148.7	1139.0	1119.8	1089.8	1088.8	1056.7	1034.2	1024.6
90.0	1175.4	1145.5	1147.6	1121.9	1094.1	1088.8	1063.1	1038.5	1025.7	1003.2
120.0	1175.4	1145.5	1147.6	1121.9	1094.1	1088.8	1063.1	1038.5	1025.7	1003.2
150.0	1160.4	1156.2	1131.6	1131.6	1109.1	1081.3	1074.9	1044.9	1022.5	1007.5
180.0	1160.4	1156.2	1131.6	1131.6	1109.1	1081.3	1074.9	1044.9	1022.5	1007.5
210.0	1165.8	1164.7	1143.3	1117.7	1110.2	1078.1	1068.5	1046.0	1012.8	1009.6
240.0	1165.8	1164.7	1143.3	1117.7	1110.2	1078.1	1068.5	1046.0	1012.8	1009.6
270.0	1172.2	1143.3	1124.1	1117.7	1093.1	1077.0	1057.8	1033.2	1013.9	989.3
300.0	1172.2	1143.3	1124.1	1117.7	1093.1	1077.0	1057.8	1033.2	1013.9	989.3
330.0	1139.0	1133.7	1111.2	1088.8	1084.5	1050.3	1037.4	1023.5	985.0	976.5
360.0	1139.0	1133.7	1111.2	1088.8	1084.5	1050.3	1037.4	1023.5	985.0	976.5

C\G	40.0	41.0	42.0	43.0	44.0	45.0	46.0	47.0	48.0	49.0
0.0	944.4	915.5	909.1	875.9	865.2	828.9	803.2	792.5	754.0	730.5
30.0	986.1	975.4	952.9	914.4	902.7	870.6	842.8	828.9	797.9	766.9
60.0	986.1	975.4	952.9	914.4	902.7	870.6	842.8	828.9	797.9	766.9
90.0	974.3	954.0	939.0	908.0	877.0	866.3	834.2	801.1	793.6	757.2
120.0	974.3	954.0	939.0	908.0	877.0	866.3	834.2	801.1	793.6	757.2
150.0	979.7	962.6	934.8	907.0	893.1	870.6	834.2	819.3	794.7	762.6
180.0	979.7	962.6	934.8	907.0	893.1	870.6	834.2	819.3	794.7	762.6
210.0	978.6	947.6	938.0	905.9	880.2	855.6	832.1	806.4	776.5	759.4
240.0	978.6	947.6	938.0	905.9	880.2	855.6	832.1	806.4	776.5	759.4
270.0	979.7	945.5	919.8	909.1	875.9	848.1	836.4	795.7	779.7	749.7
300.0	979.7	945.5	919.8	909.1	875.9	848.1	836.4	795.7	779.7	749.7
330.0	944.4	915.5	909.1	875.9	865.2	828.9	803.2	792.5	754.0	730.5
360.0	944.4	915.5	909.1	875.9	865.2	828.9	803.2	792.5	754.0	730.5

C\G	50.0	51.0	52.0	53.0	54.0	55.0	56.0	57.0	58.0	59.0
0.0	710.2	669.5	656.7	624.6	591.4	570.1	547.6	513.4	489.9	463.1
30.0	748.7	721.9	692.0	661.0	642.8	610.7	578.6	561.5	521.9	497.3
60.0	748.7	721.9	692.0	661.0	642.8	610.7	578.6	561.5	521.9	497.3
90.0	734.8	709.1	673.8	658.8	625.7	592.5	576.5	545.5	510.2	488.8
120.0	734.8	709.1	673.8	658.8	625.7	592.5	576.5	545.5	510.2	488.8
150.0	744.4	718.7	690.9	661.0	644.9	609.6	578.6	560.4	521.9	498.4
180.0	744.4	718.7	690.9	661.0	644.9	609.6	578.6	560.4	521.9	498.4
210.0	733.7	693.0	681.3	654.5	619.3	600.0	569.0	539.0	513.4	489.9
240.0	733.7	693.0	681.3	654.5	619.3	600.0	569.0	539.0	513.4	489.9
270.0	730.5	702.7	678.1	657.8	619.3	594.7	573.3	534.8	513.4	489.9
300.0	730.5	702.7	678.1	657.8	619.3	594.7	573.3	534.8	513.4	489.9
330.0	710.2	669.5	656.7	624.6	591.4	570.1	547.6	513.4	489.9	463.1
360.0	710.2	669.5	656.7	624.6	591.4	570.1	547.6	513.4	489.9	463.1

Photometric Data Table [cd]

C\G	60.0	61.0	62.0	63.0	64.0	65.0	66.0	67.0	68.0	69.0
0.0	435.3	406.4	381.8	349.7	323.0	301.6	263.1	237.4	217.1	178.6
30.0	478.1	437.4	416.0	389.3	352.9	334.8	305.9	285.6	252.4	223.5
60.0	478.1	437.4	416.0	389.3	352.9	334.8	305.9	285.6	252.4	223.5
90.0	463.1	431.0	405.3	381.8	347.6	321.9	299.5	265.2	239.6	219.2
120.0	463.1	431.0	405.3	381.8	347.6	321.9	299.5	265.2	239.6	219.2
150.0	474.9	437.4	418.2	391.4	354.0	334.8	304.8	273.8	248.1	222.5
180.0	474.9	437.4	418.2	391.4	354.0	334.8	304.8	273.8	248.1	222.5
210.0	456.7	427.8	406.4	371.1	343.3	323.0	288.8	263.1	241.7	207.5
240.0	456.7	427.8	406.4	371.1	343.3	323.0	288.8	263.1	241.7	207.5
270.0	451.3	436.4	404.3	371.1	352.9	323.0	284.5	266.3	241.7	212.8
300.0	451.3	436.4	404.3	371.1	352.9	323.0	284.5	266.3	241.7	212.8
330.0	435.3	406.4	381.8	349.7	323.0	301.6	263.1	237.4	217.1	178.6
360.0	435.3	406.4	381.8	349.7	323.0	301.6	263.1	237.4	217.1	178.6

C\G	70.0	71.0	72.0	73.0	74.0	75.0	76.0	77.0	78.0	79.0
0.0	158.3	133.7	101.6	80.2	63.1	37.4	23.5	13.9	5.4	2.1
30.0	204.3	171.1	148.7	128.3	97.3	78.1	59.9	36.4	23.5	15.0
60.0	204.3	171.1	148.7	128.3	97.3	78.1	59.9	36.4	23.5	15.0
90.0	194.6	161.5	141.2	120.9	90.9	71.7	55.6	34.2	20.3	11.8
120.0	194.6	161.5	141.2	120.9	90.9	71.7	55.6	34.2	20.3	11.8
150.0	190.4	164.7	144.4	123.0	88.8	70.6	49.2	25.7	17.1	7.5
180.0	190.4	164.7	144.4	123.0	88.8	70.6	49.2	25.7	17.1	7.5
210.0	185.0	161.5	128.3	111.2	90.9	61.0	48.1	33.2	17.1	9.6
240.0	185.0	161.5	128.3	111.2	90.9	61.0	48.1	33.2	17.1	9.6
270.0	186.1	166.8	133.7	114.4	94.1	63.1	49.2	32.1	16.0	9.6
300.0	186.1	166.8	133.7	114.4	94.1	63.1	49.2	32.1	16.0	9.6
330.0	158.3	133.7	101.6	80.2	63.1	37.4	23.5	13.9	5.4	2.1
360.0	158.3	133.7	101.6	80.2	63.1	37.4	23.5	13.9	5.4	2.1

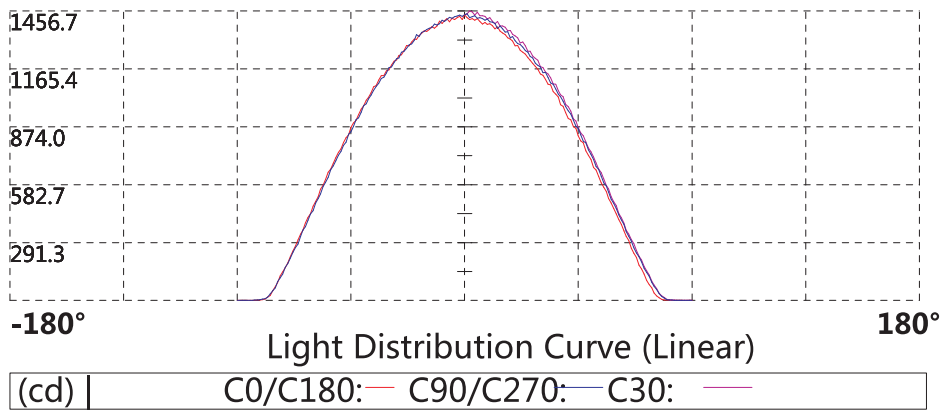
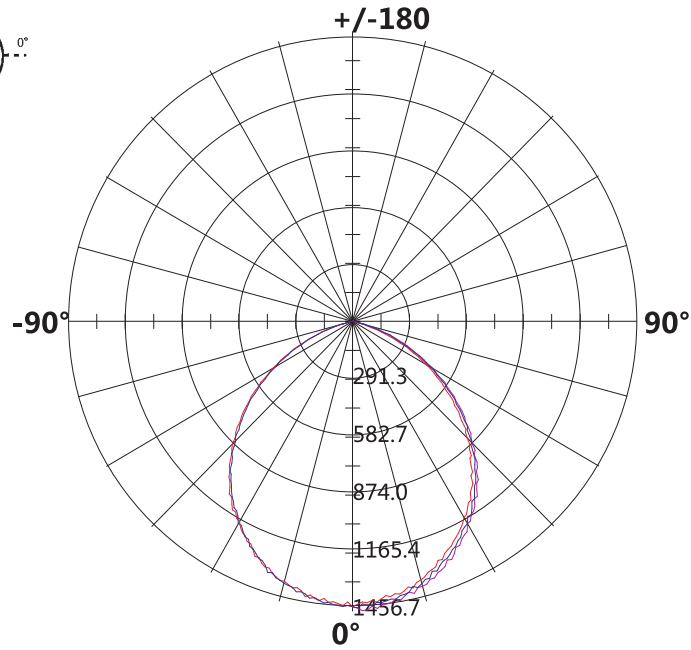
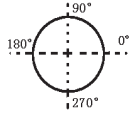
C\G	80.0	81.0	82.0	83.0	84.0	85.0	86.0	87.0	88.0	89.0
0.0	2.1	1.1	0.0	0.0	0.0	0.0	0.0	0.0	0.0	0.0
30.0	6.4	4.3	2.1	2.1	1.1	1.1	0.0	0.0	0.0	0.0
60.0	6.4	4.3	2.1	2.1	1.1	1.1	0.0	0.0	0.0	0.0
90.0	4.3	2.1	2.1	1.1	1.1	1.1	1.1	0.0	0.0	0.0
120.0	4.3	2.1	2.1	1.1	1.1	1.1	1.1	0.0	0.0	0.0
150.0	3.2	2.1	2.1	1.1	1.1	0.0	0.0	0.0	0.0	0.0
180.0	3.2	2.1	2.1	1.1	1.1	0.0	0.0	0.0	0.0	0.0
210.0	5.4	1.1	1.1	1.1	0.5	0.0	0.0	0.0	0.0	1.1
240.0	5.4	1.1	1.1	1.1	0.5	0.0	0.0	0.0	0.0	1.1
270.0	7.5	4.8	2.1	2.1	0.0	0.0	0.0	0.0	0.0	0.0
300.0	7.5	4.8	2.1	2.1	0.0	0.0	0.0	0.0	0.0	0.0
330.0	2.1	1.1	0.0	0.0	0.0	0.0	0.0	0.0	0.0	0.0
360.0	2.1	1.1	0.0	0.0	0.0	0.0	0.0	0.0	0.0	0.0

Photometric Data Table [cd]

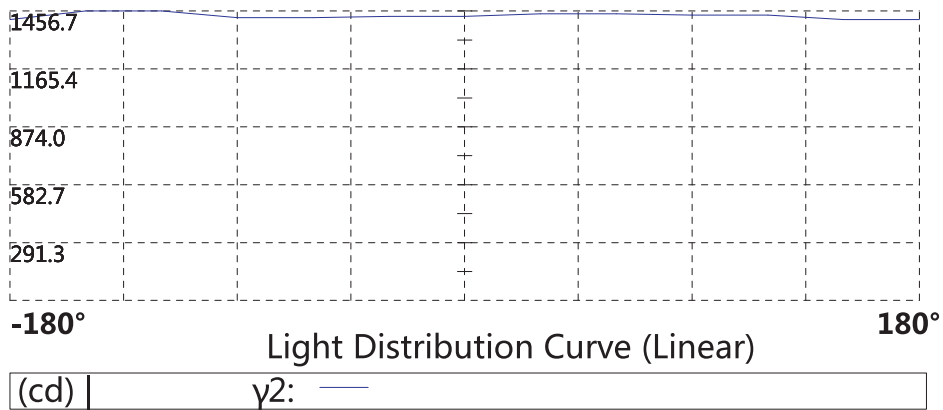
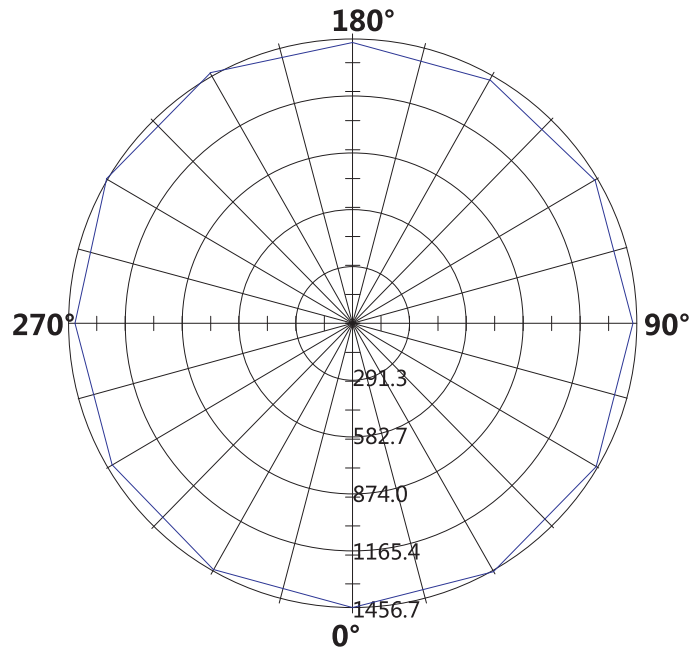
C\G	90.0
0.0	0.0
30.0	0.0
60.0	0.0
90.0	0.0
120.0	0.0
150.0	0.0
180.0	0.0
210.0	1.1
240.0	1.1
270.0	0.0
300.0	0.0
330.0	0.0
360.0	0.0

Light Distribution Curve [Unit: cd]

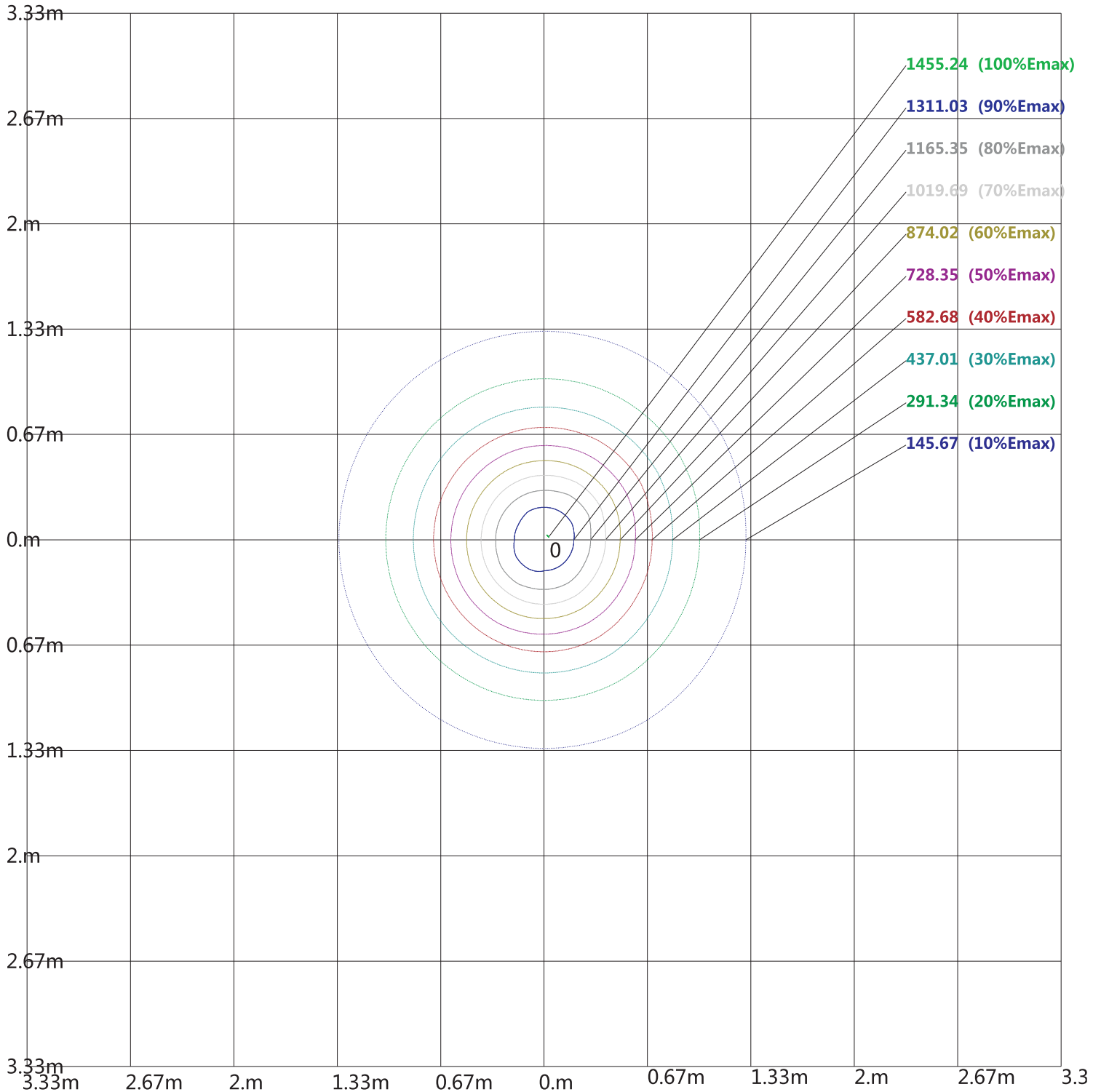
Luminaire



Max Plane Light Distribution Curve [Unit: cd]



Iso-Lux[lx]



Height: 1 m
Max Illuminance : 1456.69lx

Luminance Limiting Curve

Diameter: 220mm

Length: mm

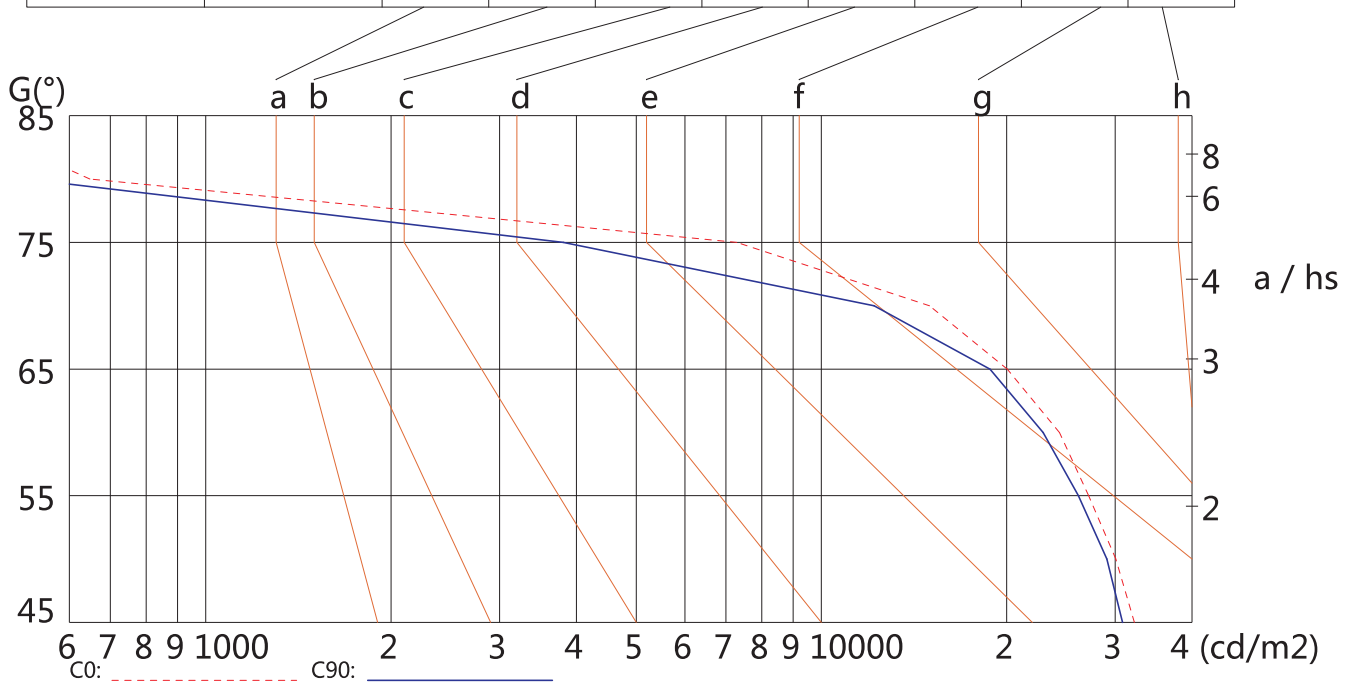
Width: mm

Height: 30mm

(cd/m²)

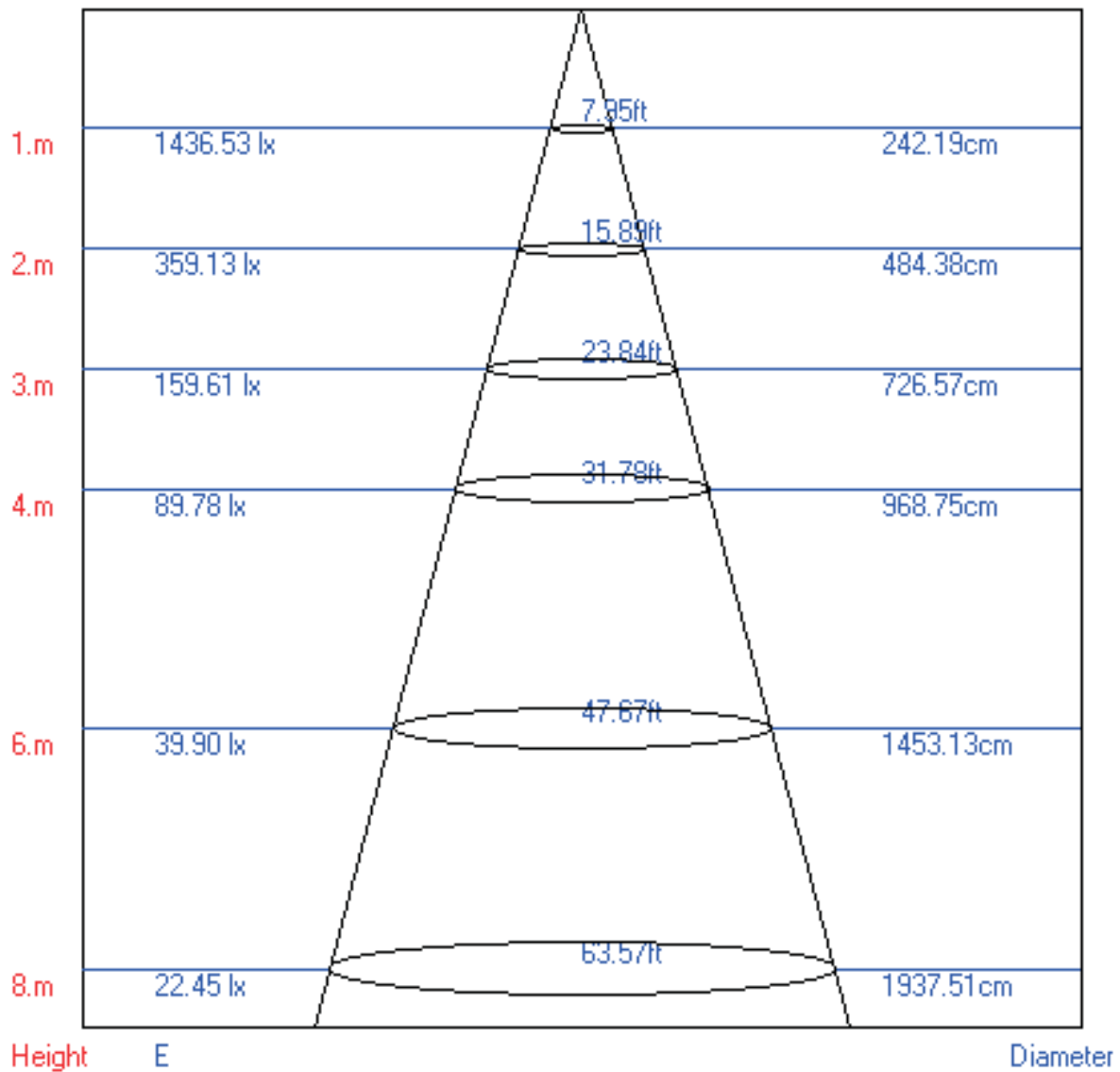
γ	45°	50°	55°	60°	65°	70°	75°	80°	85°
C0	32241	30081	27185	24374	20046	14977	7286	648	
C90	30847	29074	26155	22911	18780	12180	3806	325	

Glare	Quality	Service Values Illuminance (lx)							
		2000	1000	500	≤300				
1.15	A	2000	1000	500	≤300				
1.5	B		2000	1000	500	≤300			
1.85	C			2000	1000	500	≤300		
2.2	D				2000	1000	500	≤300	
2.55	E					2000	1000	500	≤300



Lum. Limiting Curve (C0/C90)

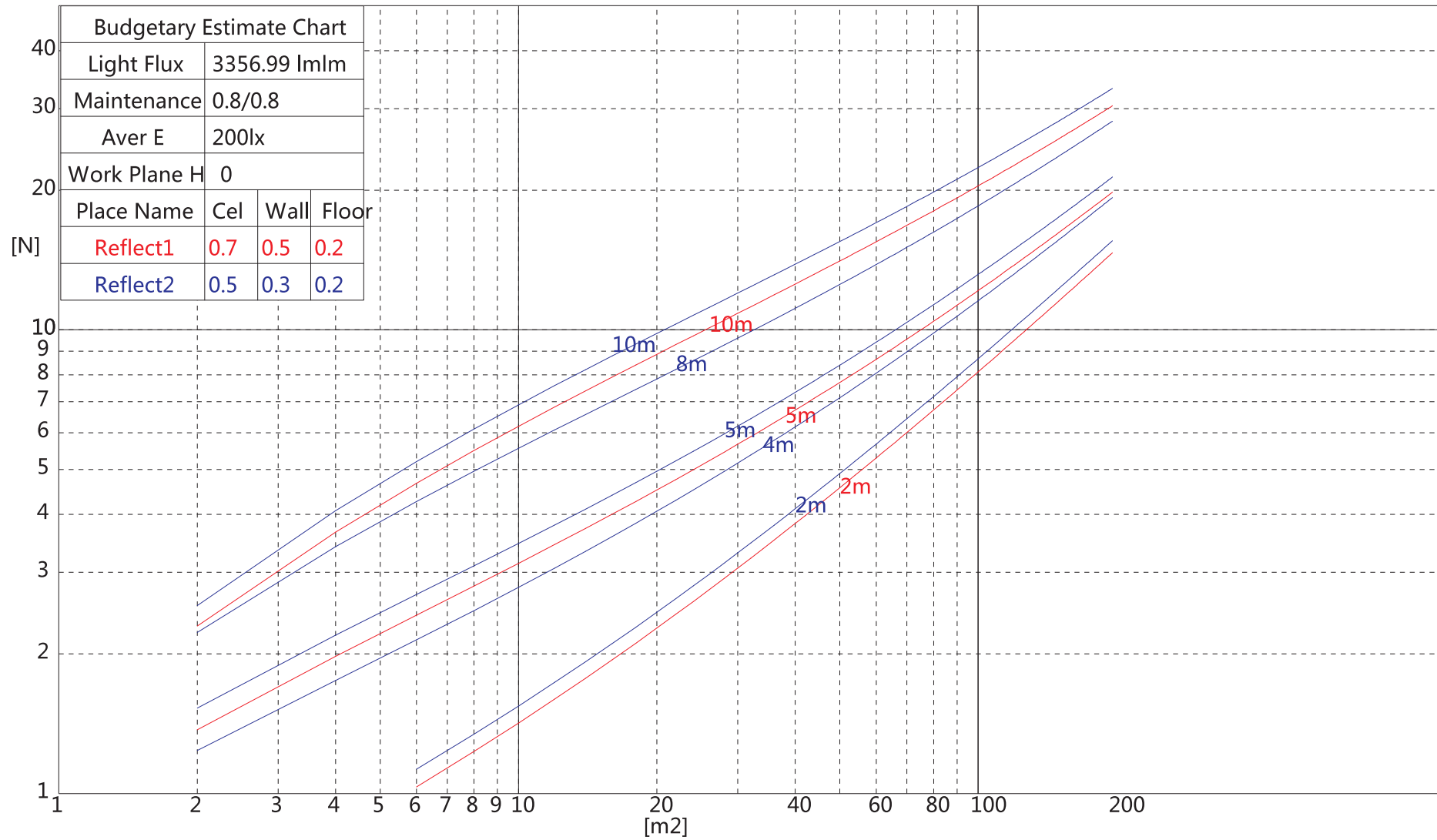
Lux-Distance Curve



Beam Angle:100.90

Utilization Coefficient Table

RHOCC	80			70			50			30			10			0
RHOW	50	30	10	50	30	10	50	30	10	50	30	10	50	30	10	0
RCR	COEFFICIENTS OF UTILIZATION FOR RHOFC=20															
0	1.19	1.19	1.19	1.16	1.16	1.16	1.11	1.11	1.11	1.06	1.06	1.06	1.02	1.02	1.02	1.00
1	1.08	1.07	1.06	1.07	1.05	1.04	1.03	1.01	0.99	0.98	0.96	0.94	0.91	0.89	0.87	0.82
2	0.94	0.92	0.90	0.93	0.91	0.89	0.91	0.87	0.85	0.87	0.83	0.81	0.82	0.78	0.75	0.70
3	0.82	0.79	0.78	0.82	0.78	0.76	0.80	0.76	0.73	0.77	0.73	0.69	0.74	0.69	0.65	0.61
4	0.72	0.69	0.67	0.72	0.68	0.66	0.71	0.66	0.63	0.69	0.64	0.60	0.67	0.61	0.57	0.53
5	0.63	0.61	0.59	0.64	0.60	0.58	0.63	0.59	0.55	0.62	0.57	0.53	0.60	0.55	0.50	0.46
6	0.56	0.54	0.52	0.57	0.53	0.51	0.57	0.52	0.49	0.56	0.51	0.47	0.55	0.49	0.44	0.40
7	0.50	0.48	0.46	0.51	0.48	0.45	0.51	0.47	0.43	0.51	0.46	0.41	0.51	0.44	0.39	0.36
8	0.45	0.43	0.41	0.46	0.43	0.41	0.47	0.42	0.39	0.47	0.41	0.37	0.47	0.40	0.35	0.32
9	0.41	0.39	0.37	0.42	0.39	0.37	0.43	0.38	0.35	0.43	0.38	0.34	0.43	0.37	0.32	0.29
10	0.38	0.35	0.34	0.38	0.35	0.33	0.39	0.35	0.32	0.40	0.35	0.31	0.40	0.34	0.29	0.27



UGR Glare Index

Ceiling	70	70	50	50	30	70	70	50	50	30	
Wall	50	30	50	30	30	50	30	50	30	30	
Floor	20	20	20	20	20	20	20	20	20	20	
Room Size X Y	Weft to light axis direction of observation					Direction of light axis parallel observation					
2H	2H	14.7	16.0	14.9	15.9	16.5	14.7	15.9	14.8	16.0	16.5
	3H	16.3	17.4	16.7	17.9	17.9	16.2	17.4	16.4	17.8	18.0
	4H	16.9	18.1	17.4	18.7	18.8	16.9	18.1	17.3	18.5	18.8
	6H	17.6	18.5	18.0	18.9	18.9	17.4	18.3	17.8	18.9	19.0
	8H	17.8	18.9	18.1	19.0	19.3	17.7	18.7	17.9	19.0	19.3
4H	12H	17.9	18.8	18.1	19.2	19.5	17.7	18.7	18.1	19.2	19.6
	2H	15.7	16.6	15.9	16.8	17.0	15.6	16.6	15.8	16.9	17.0
	3H	17.5	18.4	17.7	18.4	18.8	17.3	18.2	17.6	18.3	18.7
	4H	18.3	18.9	18.5	19.1	19.5	18.0	18.9	18.4	19.1	19.6
	6H	18.8	19.5	19.1	19.8	20.2	18.7	19.5	18.9	19.7	20.0
8H	8H	19.0	19.7	19.4	20.0	20.3	19.0	19.5	19.3	20.0	20.3
	12H	19.2	19.8	19.7	20.0	20.5	19.1	19.8	19.5	20.1	20.5
	4H	18.5	19.2	18.8	19.4	19.8	18.5	19.1	18.7	19.4	19.8
	6H	19.3	19.8	19.8	20.2	20.6	19.2	19.7	19.6	20.2	20.5
	8H	19.8	20.2	20.2	20.5	20.9	19.6	20.0	20.1	20.4	21.0
12H	12H	20.0	20.4	20.4	20.9	21.1	19.8	20.3	20.3	20.8	21.2
	4H	18.6	19.2	19.1	19.6	19.8	18.5	19.0	18.9	19.4	19.8
	6H	19.5	20.0	19.9	20.2	20.7	19.4	19.9	19.8	20.2	20.6
	8H	19.9	20.3	20.4	20.5	21.1	19.8	20.2	20.3	20.6	21.0