

**The Commercial
LED Lighting Specialist**

LED PANEL LIGHTS

PRODUCT CATEGORY DATA SHEET

LED RECESSED PANEL LIGHT

6W 77mm cut-out (3")



KEY DATA

Power	6W
IP Rating	IP20
Dimensions	φ87×17mm
Cut-out size	φ77mm
Luminous Flux	400Lm
Colour Temperature	4000K/6500K
Warranty	One year

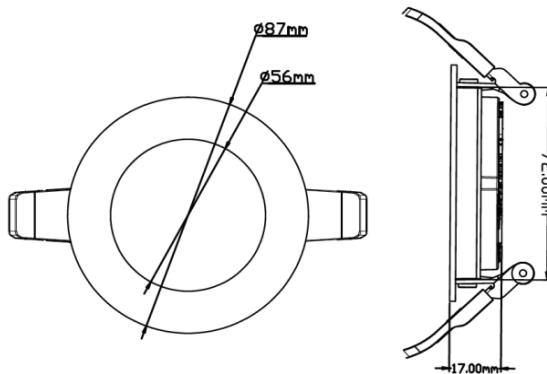
Model Number

PL RD 06w

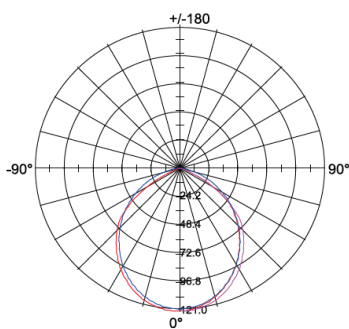
TECHNICAL SPECIFICATIONS

Input Voltage	100-240V AC
Power Factor	0.9
LED Type	SMD 2835
LED Luminous Flux	864Lm
Luminous Efficacy	70Lm/W
LED Manufacturer	RUNLITE
LED Circuit Mode	(18)S*(2)P=(36)PCS
LED Board Base Type	1060
Driver Output	54VDC 100mA
Driver Specifications	Non-Isolated
Total Circuit Power (W)	6±0.5
Electrical Class	1
Colour Rendering	>80 CRI
Lamp Viewing Angle	120°
Supply Current	22mA
Operating Temp.	-15 to +50°C
Lifespan	30,000 hours
Fire Rating	V-0
Energy Efficiency Index (EEI)	0.18 (A)
Diffuser Material	Polystyrene
Housing Material/Colour	Aluminium/White
Weight	171g

DIMENSIONS



LIGHT & LUX DISTRIBUTION CURVE



cd

Height	Center lx	Diameter
1.m	128.95 lx	274.27cm
1.5m	57.75 lx	411.40cm
2.m	32.49 lx	548.54cm
2.5m	20.79 lx	685.67cm
3.m	14.44 lx	822.81cm
4.m	9.12 lx	1097.07cm
5.m	5.20 lx	1371.34cm
6.m	3.61 lx	1645.61cm
7.m	2.65 lx	1919.88cm
8.m	2.03 lx	2194.15cm
9.m	1.60 lx	2468.42cm
10.m	1.30 lx	2742.68cm

AVERAGE BEAM ANGLE: 107°

PRODUCT FEATURES:

1. Using high lumen SMD light source
2. Using good reflectivity light, it is thinner and brighter, the light is more equally.
3. Low voltage & constant current driver, no glare, the light is soft.
4. Launch in 0.01sec, no flashing, no noise, no radiation and energy saving.
5. This product can show high brightness, without seeing the lamp itself.

LED RECESSED PANEL LIGHT

6W 75×75mm cut-out (3")



KEY DATA

Power	6W
IP Rating	IP20
Dimensions	87×87×20mm
Cut-out size	75×75mm
Luminous Flux	400Lm
Colour Temperature	4000K/6500K
Warranty	One year

Model Number

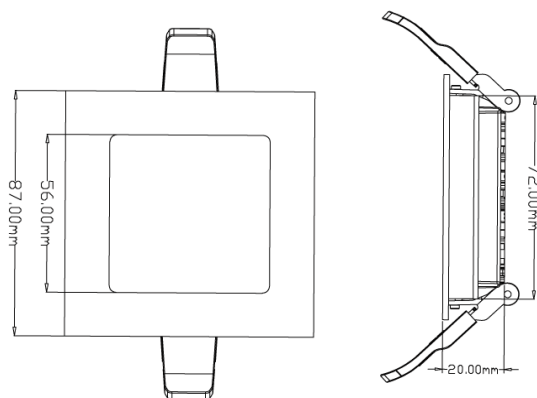
PL SQ 06w

TECHNICAL SPECIFICATIONS

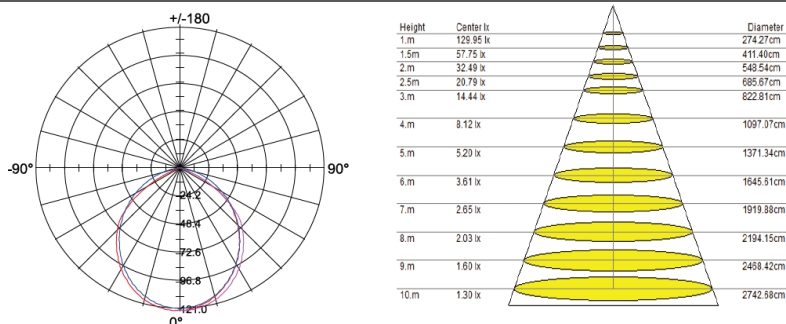
Input Voltage	100-240V AC
Power Factor	0.9
LED Type	SMD 2835
LED Luminous Flux	864Lm
Luminous Efficacy	70Lm/W
LED Manufacturer	RUNLITE
LED Circuit Mode	(18)S*(2)P=(36)PCS
LED Board Base Type	1060
Driver Output	54VDC 100mA
Driver Specifications	Non-Isolated
Total Circuit Power (W)	6±0.5
Electrical Class	1
Colour Rendering	>80 CRI
Lamp Viewing Angle	120°
Supply Current	22mA
Operating Temp.	-15 to +50°C
Lifespan	30,000 hours

Fire Rating	V-0
Energy Efficiency Index (EEI)	0.18 (A)
Diffuser Material	Polystyrene
Housing Material/Colour	Aluminium/White
Weight	184g

DIMENSIONS



LIGHT & LUX DISTRIBUTION CURVE



cd

AVERAGE BEAM ANGLE: 107°

PRODUCT FEATURES:

1. Using high lumen SMD light source
2. Using good reflectivity light, it is thinner and brighter, the light is more equally.
3. Low voltage & constant current driver, no glare, the light is soft.
4. Launch in 0.01sec, no flashing, no noise, no radiation and energy saving.
5. This product can show high brightness, without seeing the lamp itself.

LED RECESSED PANEL LIGHT

12W 115mm cut-out (4.5")



KEY DATA

Power	12W
IP Rating	IP20
Dimensions	φ128×26mm
Cut-out size	φ115mm
Luminous Flux	1000Lm
Colour Temperature	4000K/6500K
Warranty	One year

Model Number

PL RD 12w

TECHNICAL SPECIFICATIONS

Input Voltage	100-240V AC
Power Factor	0.96
LED Type	SMD 2835
LED Luminous Flux	1728Lm
Luminous Efficacy	83Lm/W
LED Manufacturer	RUNLITE
LED Circuit Mode	(12)S*(6)P=(72)PCS
LED Board Base Type	1060
Driver Output	36VDC 300mA
Driver Specifications	Non-Isolated
Total Circuit Power (W)	12±1
Electrical Class	1
Colour Rendering	>80 CRI
Lamp Viewing Angle	120°
Supply Current	52mA
Operating Temp.	-15 to +50°C
Lifespan	30,000 hours

Fire Rating V-0

Energy Efficiency Index (EEI) 0.17 (A+)

Diffuser Material Polystyrene

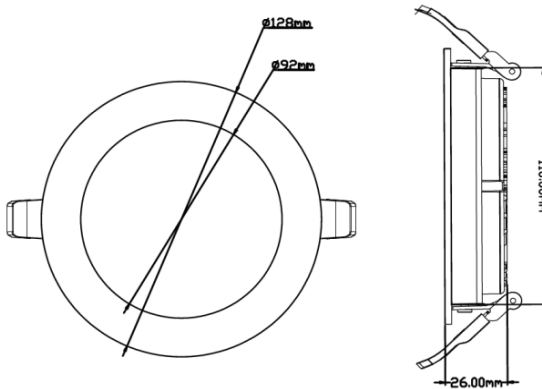
Housing Material/Colour Aluminium/White

Weight 232g

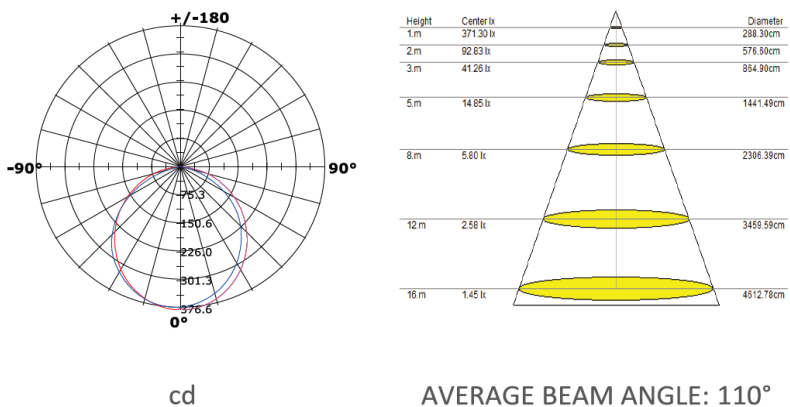
PRODUCT FEATURES:

1. Using high lumen SMD light source
2. Using good reflectivity light, it is thinner and brighter, the light is more equally.
3. Low voltage & constant current driver, no glare, the light is soft.
4. Launch in 0.01sec, no flashing, no noise, no radiation and energy saving.
5. This product can show high brightness, without seeing the lamp itself.

DIMENSIONS



LIGHT & LUX DISTRIBUTION CURVE



LED RECESSED PANEL LIGHT

12W 100×100mm cut-out (4")

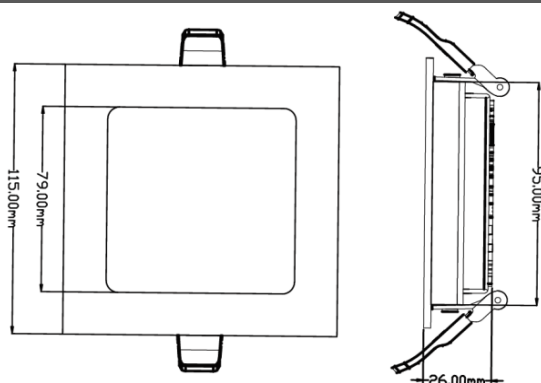
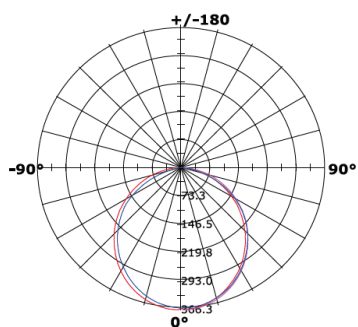
**KEY DATA**

Power	12W
IP Rating	IP20
Dimensions	115×115×26mm
Cut-out size	100×100mm
Luminous Flux	1000Lm
Colour Temperature	4000K/6500K
Warranty	One year

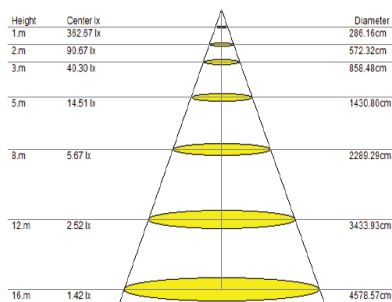
Model Number

PL SQ 12w**TECHNICAL SPECIFICATIONS**

Input Voltage	100-240V AC
Power Factor	0.96
LED Type	SMD 2835
LED Luminous Flux	1728Lm
Luminous Efficacy	83Lm/W
LED Manufacturer	RUNLITE
LED Circuit Mode	(12)S*(6)P=(72)PCS
LED Board Base Type	1060
Driver Output	36VDC 300mA
Driver Specifications	Non-Isolated
Total Circuit Power (W)	12±1
Electrical Class	1
Colour Rendering	>80 CRI
Lamp Viewing Angle	120°
Supply Current	52mA
Operating Temp.	-15 to +50°C
Lifespan	30,000 hours
Fire Rating	V-0
Energy Efficiency Index (EEI)	0.17 (A+)
Diffuser Material	Polystyrene
Housing Material/Colour	Aluminium/White
Weight	310g

DIMENSIONS**LIGHT & LUX DISTRIBUTION CURVE**

cd



AVERAGE BEAM ANGLE: 110°

PRODUCT FEATURES:

1. Using high lumen SMD light source
2. Using good reflectivity light, it is thinner and brighter, the light is more equally.
3. Low voltage & constant current driver, no glare, the light is soft.
4. Launch in 0.01sec, no flashing, no noise, no radiation and energy saving.
5. This product can show high brightness, without seeing the lamp itself.

LED RECESSED PANEL LIGHT

18W 145mm cut-out (6")



KEY DATA

Power	18W
IP Rating	IP20
Dimensions	φ158×27mm
Cut-out size	φ145mm
Luminous Flux	1600Lm
Colour Temperature	4000K/6500K
Warranty	One year

Model Number

PL RD 18w

TECHNICAL SPECIFICATIONS

Input Voltage	100-240V AC
Power Factor	0.96
LED Type	SMD 2835
LED Luminous Flux	2592Lm
Luminous Efficacy	90Lm/W
LED Manufacturer	RUNLITE
LED Circuit Mode	(18)S*(6)P=(108)PCS
LED Board Base Type	1060
Driver Output	54VDC 300mA
Driver Specifications	Non-Isolated
Total Circuit Power (W)	18±2
Electrical Class	1
Colour Rendering	>80 CRI
Lamp Viewing Angle	120°
Supply Current	78mA
Operating Temp.	-15 to +50°C
Lifespan	30,000 hours

Fire Rating V-0

Energy Efficiency Index (EEI) 0.17 (A+)

Diffuser Material Polystyrene

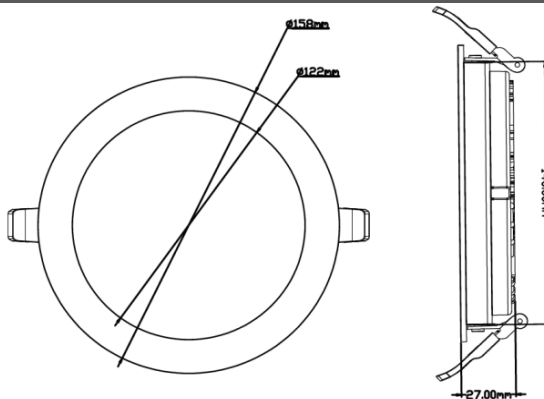
Housing Material/Colour Aluminium/White

Weight 710g

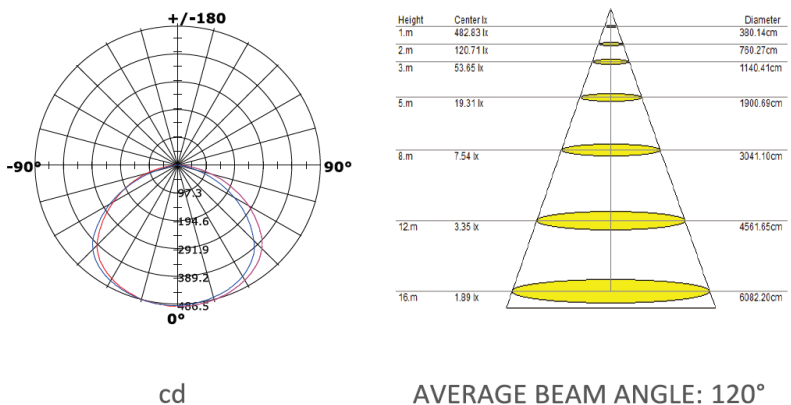
PRODUCT FEATURES:

1. Using high lumen SMD light source
2. Using good reflectivity light, it is thinner and brighter, the light is more equally.
3. Low voltage & constant current driver, no glare, the light is soft.
4. Launch in 0.01sec, no flashing, no noise, no radiation and energy saving.
5. This product can show high brightness, without seeing the lamp itself.

DIMENSIONS



LIGHT & LUX DISTRIBUTION CURVE



LED RECESSED PANEL LIGHT

18W 140×140mm cut-out (5.5")



KEY DATA

Power	18W
IP Rating	IP20
Dimensions	150×150×27mm
Cut-out size	140×140mm
Luminous Flux	1600Lm
Colour Temperature	4000K/6500K
Warranty	One year

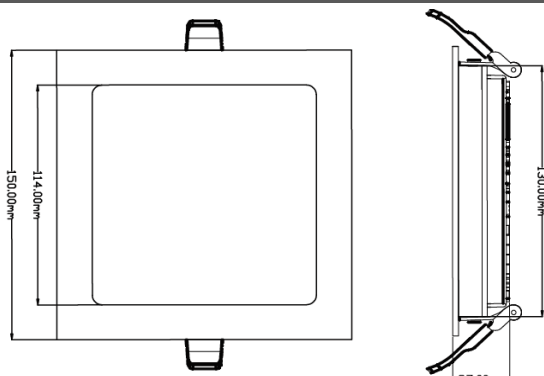
Model Number

PL SQ 18w

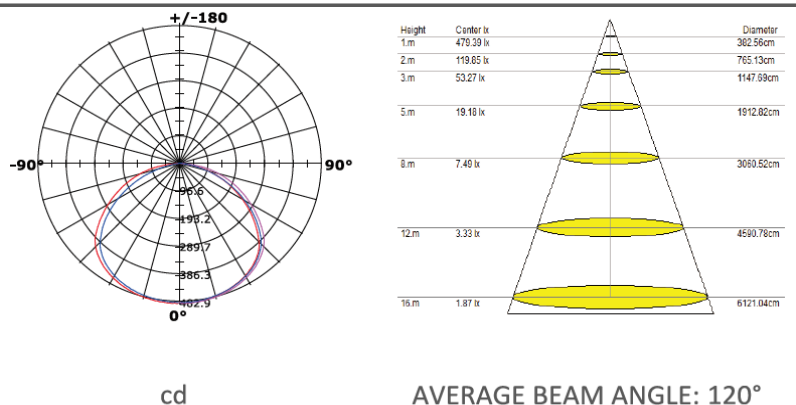
TECHNICAL SPECIFICATIONS

Input Voltage	100-240V AC
Power Factor	0.96
LED Type	SMD 2835
LED Luminous Flux	2592Lm
Luminous Efficacy	90Lm/W
LED Manufacturer	RUNLITE
LED Circuit Mode	(18)S*(6)P=(108)PCS
LED Board Base Type	1060
Driver Output	54VDC 300mA
Driver Specifications	Non-Isolated
Total Circuit Power (W)	18±2
Electrical Class	1
Colour Rendering	>80 CRI
Lamp Viewing Angle	120°
Supply Current	78mA
Operating Temp.	-15 to +50°C
Lifespan	30,000 hours
Fire Rating	V-0
Energy Efficiency Index (EEI)	0.17 (A+)
Diffuser Material	Polystyrene
Housing Material/Colour	Aluminium/White
Weight	720g

DIMENSIONS



LIGHT & LUX DISTRIBUTION CURVE



PRODUCT FEATURES:

1. Using high lumen SMD light source
2. Using good reflectivity light, it is thinner and brighter, the light is more equally.
3. Low voltage & constant current driver, no glare, the light is soft.
4. Launch in 0.01sec, no flashing, no noise, no radiation and energy saving.
5. This product can show high brightness, without seeing the lamp itself.

LED RECESSED PANEL LIGHT

24W 165mm cut-out (6.5")



KEY DATA

Power	24W
IP Rating	IP20
Dimensions	φ178×27mm
Cut-out size	φ165mm
Luminous Flux	2300Lm
Colour Temperature	4000K/6500K
Warranty	One year

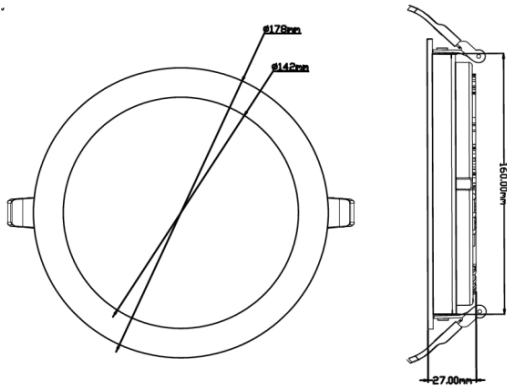
Model Number

PL RD 24w

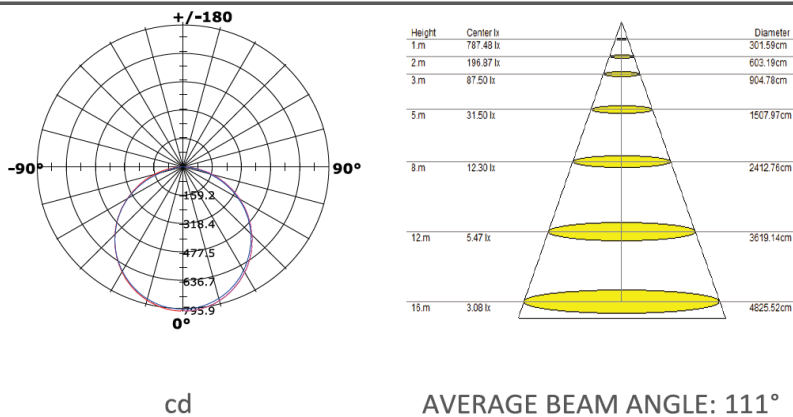
TECHNICAL SPECIFICATIONS

Input Voltage	100-240V AC
Power Factor	0.96
LED Type	SMD 2835
LED Luminous Flux	3456Lm
Luminous Efficacy	96Lm/W
LED Manufacturer	RUNLITE
LED Circuit Mode	(24)S*(6)P=(144)PCS
LED Board Base Type	1060
Driver Output	72VDC 300mA
Driver Specifications	Non-Isolated
Total Circuit Power (W)	24±2
Electrical Class	1
Colour Rendering	>80 CRI
Lamp Viewing Angle	120°
Supply Current	104mA
Operating Temp.	-15 to +50°C
Lifespan	30,000 hours
Fire Rating	V-0
Energy Efficiency Index (EEI)	0.14 (A+)
Diffuser Material	Polystyrene
Housing Material/Colour	Aluminium/White
Weight	960g

DIMENSIONS



LIGHT & LUX DISTRIBUTION CURVE



PRODUCT FEATURES:

1. Using high lumen SMD light source
2. Using good reflectivity light, it is thinner and brighter, the light is more equally.
3. Low voltage & constant current driver, no glare, the light is soft.
4. Launch in 0.01sec, no flashing, no noise, no radiation and energy saving.
5. This product can show high brightness, without seeing the lamp itself.

LED RECESSED PANEL LIGHT

24W 160×160mm cut-out (6.5")



KEY DATA

Power	24W
IP Rating	IP20
Dimensions	175×175×27mm
Cut-out size	160×160mm
Luminous Flux	2300Lm
Colour Temperature	4000K/6500K
Warranty	One year

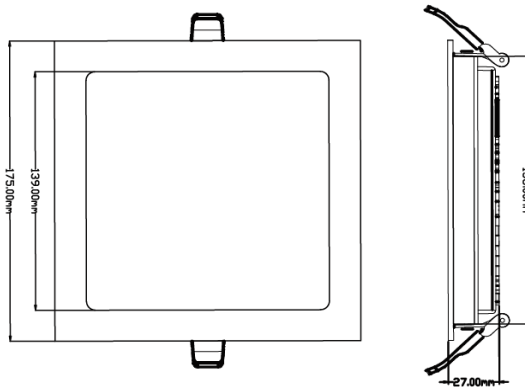
Model Number

PL SQ 24w

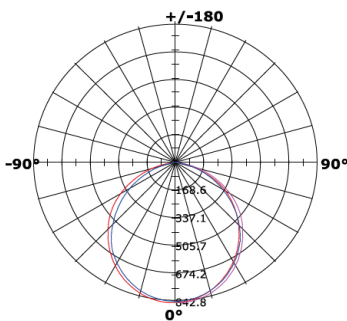
TECHNICAL SPECIFICATIONS

Input Voltage	100-240V AC
Power Factor	0.96
LED Type	SMD 2835
LED Luminous Flux	3456Lm
Luminous Efficacy	96Lm/W
LED Manufacturer	RUNLITE
LED Circuit Mode	(24)S*(6)P=(144)PCS
LED Board Base Type	1060
Driver Output	72VDC 300mA
Driver Specifications	Non-Isolated
Total Circuit Power (W)	24±2
Electrical Class	1
Colour Rendering	>80 CRI
Lamp Viewing Angle	120°
Supply Current	104mA
Operating Temp.	-15 to +50°C
Lifespan	30,000 hours
Fire Rating	V-0
Energy Efficiency Index (EEI)	0.14 (A+)
Diffuser Material	Polystyrene
Housing Material/Colour	Aluminium/White
Weight	960g

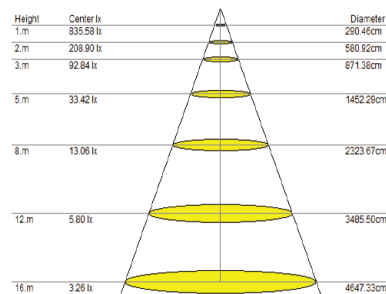
DIMENSIONS



LIGHT & LUX DISTRIBUTION CURVE



cd



AVERAGE BEAM ANGLE: 111°

PRODUCT FEATURES:

1. Using high lumen SMD light source
2. Using good reflectivity light, it is thinner and brighter, the light is more equally.
3. Low voltage & constant current driver, no glare, the light is soft.
4. Launch in 0.01sec, no flashing, no noise, no radiation and energy saving.
5. This product can show high brightness, without seeing the lamp itself.

LED RECESSED PANEL LIGHT

32W 200mm cut-out (8")



KEY DATA

Power	32W
IP Rating	IP20
Dimensions	φ220×30mm
Cut-out size	φ200mm
Luminous Flux	3100Lm
Colour Temperature	4000K/6500K
Warranty	One year

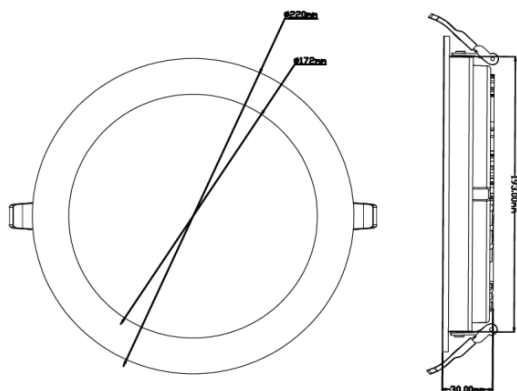
Model Number

PL RD 32w

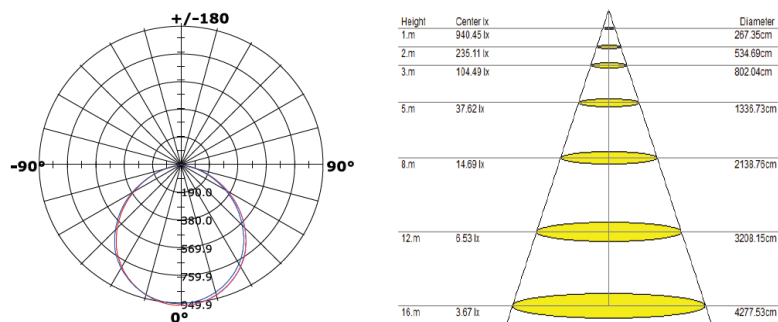
TECHNICAL SPECIFICATIONS

Input Voltage	100-240V AC
Power Factor	0.96
LED Type	SMD 2835
LED Luminous Flux	4032Lm
Luminous Efficacy	97Lm/W
LED Manufacturer	RUNLITE
LED Circuit Mode	(24)S*(7)P=(168)PCS
LED Board Base Type	1060
Driver Output	72VDC 400mA
Driver Specifications	Non-Isolated
Total Circuit Power (W)	32±2
Electrical Class	1
Colour Rendering	>80 CRI
Lamp Viewing Angle	120°
Supply Current	139mA
Operating Temp.	-15 to +50°C
Lifespan	30,000 hours
Fire Rating	V-0
Energy Efficiency Index (EEI)	0.16 (A+)
Diffuser Material	Polystyrene
Housing Material/Colour	Aluminium/White
Weight	1140g

DIMENSIONS



LIGHT & LUX DISTRIBUTION CURVE



cd

AVERAGE BEAM ANGLE: 110°

PRODUCT FEATURES:

1. Using high lumen SMD light source
2. Using good reflectivity light, it is thinner and brighter, the light is more equally.
3. Low voltage & constant current driver, no glare, the light is soft.
4. Launch in 0.01sec, no flashing, no noise, no radiation and energy saving.
5. This product can show high brightness, without seeing the lamp itself.

LED RECESSED PANEL LIGHT

32W 200×200mm cut-out (8")



KEY DATA

Power	32W
IP Rating	IP20
Dimensions	220×220×30mm
Cut-out size	200×200mm
Luminous Flux	3100Lm
Colour Temperature	4000K/6500K
Warranty	One year

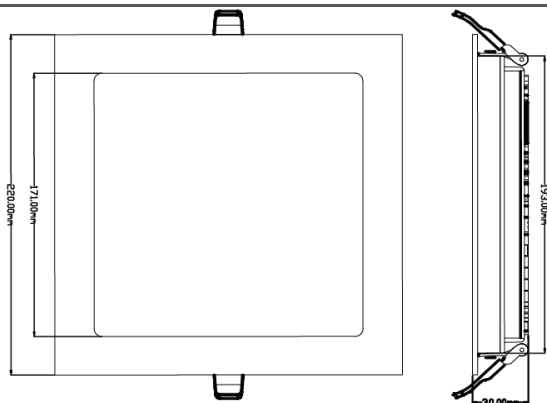
Model Number

PL SQ 32w

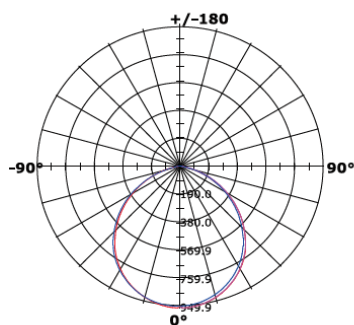
TECHNICAL SPECIFICATIONS

Input Voltage	100-240V AC
Power Factor	0.96
LED Type	SMD 2835
LED Luminous Flux	4032Lm
Luminous Efficacy	97Lm/W
LED Manufacturer	RUNLITE
LED Circuit Mode	(24)S*(7)P=(168)PCS
LED Board Base Type	1060
Driver Output	72VDC 400mA
Driver Specifications	Non-Isolated
Total Circuit Power (W)	32±2
Electrical Class	1
Colour Rendering	>80 CRI
Lamp Viewing Angle	120°
Supply Current	139mA
Operating Temp.	-15 to +50°C
Lifespan	30,000 hours
Fire Rating	V-0
Energy Efficiency Index (EEI)	0.16 (A+)
Diffuser Material	Polystyrene
Housing Material/Colour	Aluminium/White
Weight	1460g

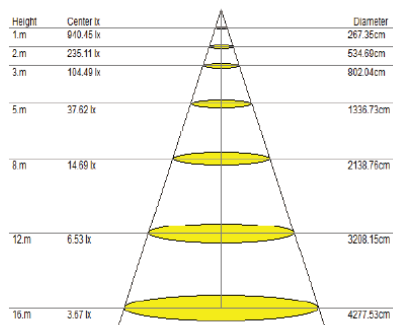
DIMENSIONS



LIGHT & LUX DISTRIBUTION CURVE



cd



AVERAGE BEAM ANGLE: 110°

PRODUCT FEATURES:

1. Using high lumen SMD light source
2. Using good reflectivity light, it is thinner and brighter, the light is more equally.
3. Low voltage & constant current driver, no glare, the light is soft.
4. Launch in 0.01sec, no flashing, no noise, no radiation and energy saving.
5. This product can show high brightness, without seeing the lamp itself.

LED RECESSED PANEL LIGHT

24W 215mm cut-out (8")



KEY DATA

Power	24W
IP Rating	IP20
Cut-out size	φ215mm
Dimensions	φ225×25mm
Luminous Flux	2400Lm
Colour Temperature	6500K
Warranty	One year

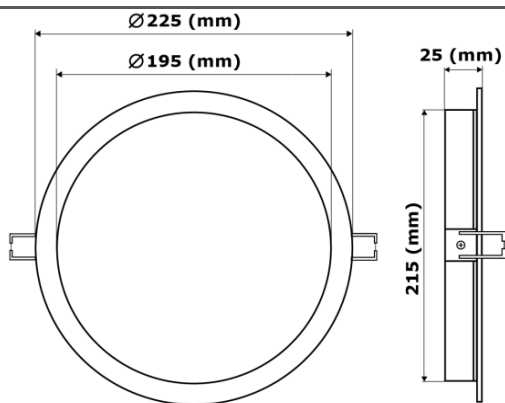
Model Number

PL RD 24w (8")

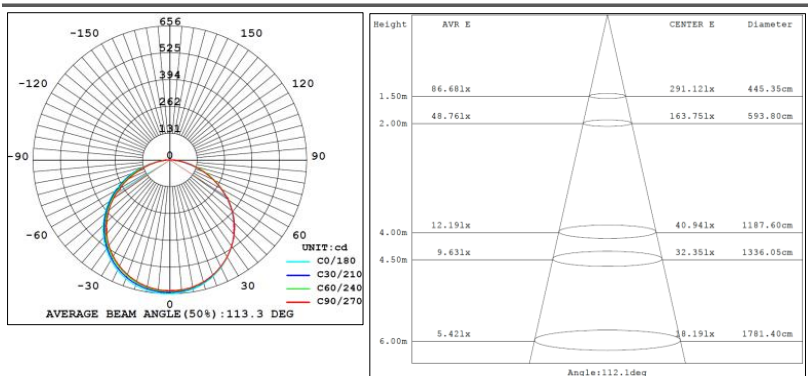
TECHNICAL SPECIFICATIONS

Input Voltage	100-240VAC
Power Factor	0.99
LED Type	SMD 2835
Luminous Efficacy (Lm/W)	78.2
LED Manufacturer	SANAN
LED Qty (pcs)	120
Driver Output	80VDC 300mA
Driver Specifications	Isolated
Total Circuit Power (W)	24±2
Electrical Class	1
Colour Rendering	>80 CRI
Lamp Viewing Angle	120°
Supply Current	108mA
Operating Temp.	-15 to +50°C
Lifespan	30,000 hours
Fire Rating	V-0
Energy Efficiency Index (EEI)	A+
Diffuser Material	Polystyrene
Housing Material/Colour	Aluminium/White

DIMENSIONS



LIGHT & LUX DISTRIBUTION CURVE



PRODUCT FEATURES:

1. Using high lumen SMD light source
2. Using good reflectivity light, it is thinner and brighter, the light is more equally.
3. Low voltage & constant current driver, no glare, the light is soft.
4. Launch in 0.01sec, no flashing, no noise, no radiation and energy saving.
5. This product can show high brightness, without seeing the lamp itself.

LED RECESSED PANEL LIGHT

24W 215×215mm cut-out (8")



KEY DATA

Power	24W
IP Rating	IP20
Cut-out size	215×215mm
Dimensions	225×225×25mm
Luminous Flux	2400Lm
Colour Temperature	6500K
Warranty	One year

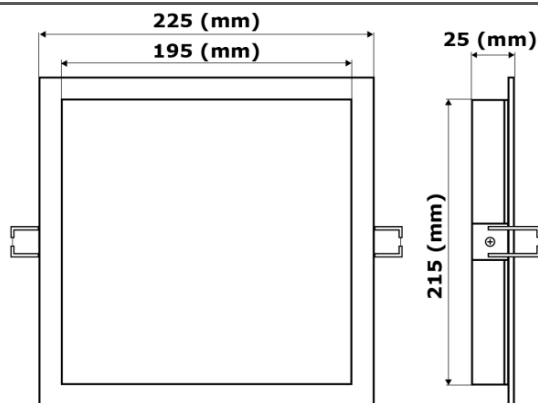
Model Number

PL SQ 24w (8")

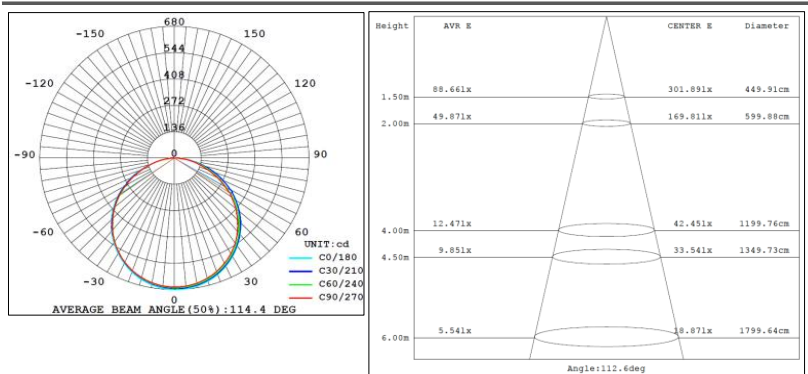
TECHNICAL SPECIFICATIONS

Input Voltage	100-240VAC
Power Factor	0.99
LED Type	SMD 2835
Luminous Efficacy (Lm/W)	80.4
LED Manufacturer	SANAN
LED Qty (pcs)	120
Driver Output	80VDC 300mA
Driver Specifications	Isolated
Total Circuit Power (W)	24±2
Electrical Class	1
Colour Rendering	>80 CRI
Lamp Viewing Angle	120°
Supply Current	110mA
Operating Temp.	-15 to +50°C
Lifespan	30,000 hours
Fire Rating	V-0
Energy Efficiency Index (EEI)	A+
Diffuser Material	Polystyrene
Housing Material/Colour	Aluminium/White

DIMENSIONS



LIGHT & LUX DISTRIBUTION CURVE



PRODUCT FEATURES:

1. Using high lumen SMD light source
2. Using good reflectivity light, it is thinner and brighter, the light is more equally.
3. Low voltage & constant current driver, no glare, the light is soft.
4. Launch in 0.01sec, no flashing, no noise, no radiation and energy saving.
5. This product can show high brightness, without seeing the lamp itself.

LED RECESSED PANEL LIGHT

40W 285×285mm cut-out (11")



KEY DATA

Power	40W
IP Rating	IP20
Cut-out size	285×285mm
Dimensions	300×300×30mm
Luminous Flux	4000Lm
Colour Temperature	4000K/6500K
Warranty	One year

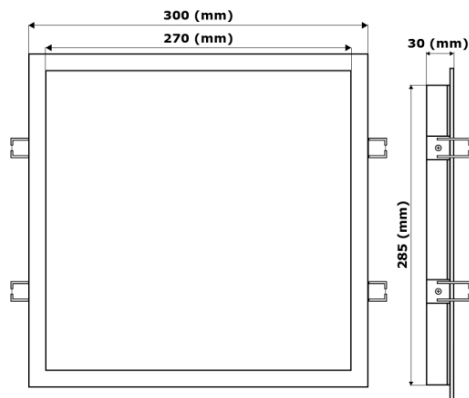
Model Number

PL SQ 40w

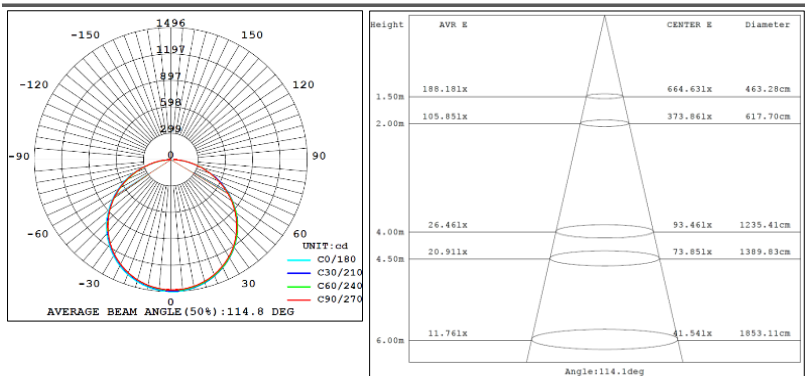
TECHNICAL SPECIFICATIONS

Input Voltage	100-240VAC
Power Factor	0.98
LED Type	SMD 2835
Luminous Efficacy (Lm/W)	100
LED Manufacturer	SANAN
LED Qty (pcs)	200
Driver Output	34VDC 1200mA
Driver Specifications	Isolated
Total Circuit Power (W)	40±2
Electrical Class	1
Colour Rendering	>80 CRI
Lamp Viewing Angle	120°
Supply Current	199mA
Operating Temp.	-15 to +50°C
Lifespan	30,000 hours
Fire Rating	V-0
Energy Efficiency Index (EEI)	A+
Diffuser Material	Polystyrene
Housing Material/Colour	Aluminium/White

DIMENSIONS



LIGHT & LUX DISTRIBUTION CURVE



PRODUCT FEATURES:

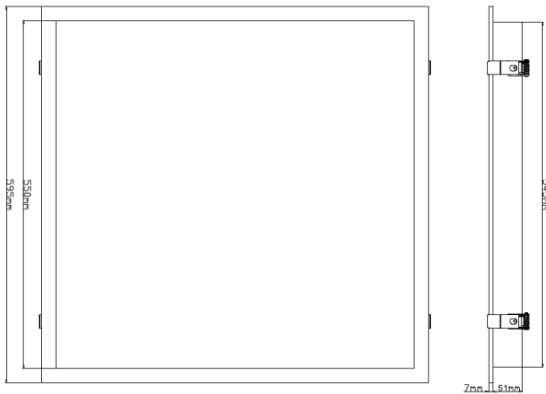
1. Using high lumen SMD light source
2. Using good reflectivity light, it is thinner and brighter, the light is more equally.
3. Low voltage & constant current driver, no glare, the light is soft.
4. Launch in 0.01sec, no flashing, no noise, no radiation and energy saving.
5. This product can show high brightness, without seeing the lamp itself.

LED RECESSED PANEL LIGHT

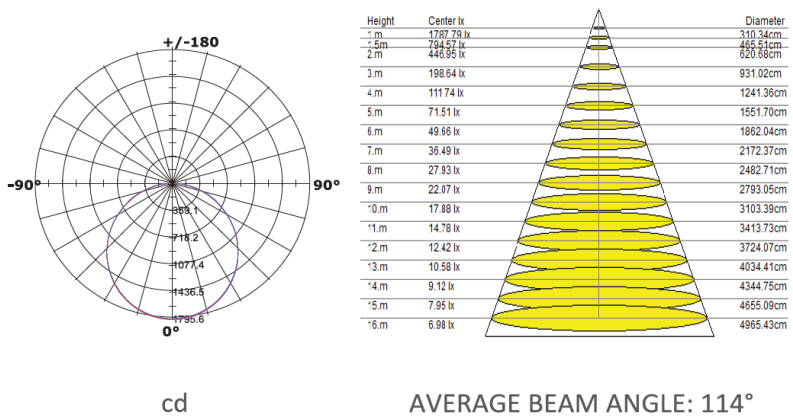
50W 580×580mm cut-out (23")



DIMENSIONS



LIGHT & LUX DISTRIBUTION CURVE



KEY DATA

Power	50W
IP Rating	IP20
Dimensions	595×595×48mm
Cut-out size	580×580mm
Luminous Flux	5000Lm
Colour Temperature	4000K/6500K
Warranty	One year

Model Number

PL SQ 50w

TECHNICAL SPECIFICATIONS

Input Voltage	100-240V AC
Power Factor	0.96
LED Type	SMD 2835
LED Luminous Flux	7759Lm
Luminous Efficacy	100Lm/W
LED Manufacturer	RUNLITE
LED Circuit Mode	(13)S*(28)P=(364)PCS
LED Board Base Type	Fiber Glass
Driver Output	33VDC 1395mA
Driver Specifications	Isolated
Total Circuit Power (W)	50±0.5
Electrical Class	1
Colour Rendering	>80 CRI
Lamp Viewing Angle	120°
Supply Current	220mA
Operating Temp.	-15 to +50°C
Lifespan	30,000 hours
Fire Rating	V-0
Energy Efficiency Index (EEI)	0.14 (A+)
Diffuser Material	Polystyrene
Housing Material/Colour	Aluminium/White
Weight	5000g

PRODUCT FEATURES:

1. Using high lumen SMD light source
2. Using good reflectivity light, it is thinner and brighter, the light is more equally.
3. Low voltage & constant current driver, no glare, the light is soft.
4. Launch in 0.01sec, no flashing, no noise, no radiation and energy saving.
5. This product can show high brightness, without seeing the lamp itself.

LED PANEL LIGHT

Summary

Model Number	Description	Power	Colour Temperature	Lumens
PL RD 06w	φ77mm cut-out (3")	6w	4000k,6500k	400Lm
PL SQ 06w	75×75mm cut-out (3")	6w	4000k,6500k	400Lm
PL RD 12w	φ115mm cut-out (4,5")	12w	4000k,6500k	1000Lm
PL SQ 12w	100×100mm cut-out (4")	12w	4000k,6500k	1000Lm
PL RD 18w	φ145mm cut-out (6")	18w	4000k,6500k	1600Lm
PL SQ 18w	140×140mm cut-out (5,5")	18w	4000k,6500k	1600Lm
PL RD 24w	φ165mm cut-out (6,5")	24w	4000k,6500k	2300Lm
PL SQ 24w	160×160mm cut-out (6,5")	24w	4000k,6500k	2300Lm
PL RD 32w	φ200mm cut-out (8")	32w	4000k,6500k	3100Lm
PL SQ 32w	200×200mm cut-out (8")	32w	4000k,6500k	3100Lm
PL RD 24w (8")	φ215mm cut-out (8")	24w	6500k	2400Lm
PL SQ 24w (8")	215×215mm cut-out (8")	24w	6500k	2400Lm
PL SQ 40w	285×285mm cut-out (11")	40w	4000k,6500k	4000Lm
PL SQ 50w	580×580mm cut-out (23")	50w	4000k,6500k	5000Lm