

**The Commercial
LED Lighting Specialist**

LED DOWNLIGHTS

PRODUCT CATEGORY DATA SHEET

LED RECESSED DOWNLIGHT

6W 77mm cut-out (3")



KEY DATA

Power	6W
IP Rating	IP20
Dimensions	φ87×27mm
Cut-out size	φ77mm
Luminous Flux	400Lm
Colour Temperature	4000K/6500K
Warranty	One year

Model Number

DL RD 06w

TECHNICAL SPECIFICATIONS

Input Voltage	100-240V AC
Power Factor	0.9
LED Type	SMD 2835
LED Luminous Flux	864Lm
Luminous Efficacy	70Lm/W
LED Manufacturer	RUNLITE
LED Circuit Mode	(18)S*(2)P=(36)PCS
LED Board Base Type	1060
Driver Output	54VDC 100mA
Driver Specifications	Non-Isolated
Total Circuit Power (W)	6±0.5
Electrical Class	1
Colour Rendering	>80 CRI
Lamp Viewing Angle	120°
Supply Current	22mA
Operating Temp.	-15 to +50°C
Lifespan	30,000 hours

Fire Rating V-0

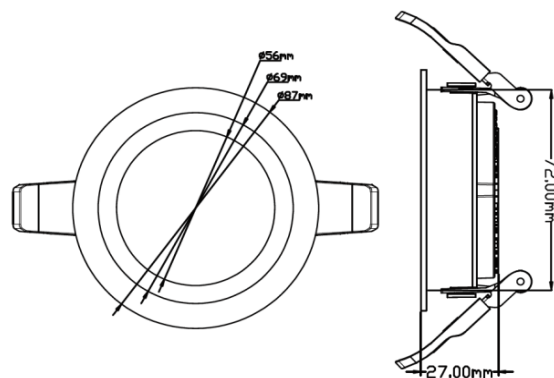
Energy Efficiency Index (EEI) 0.18 (A)

Diffuser Material Polystyrene

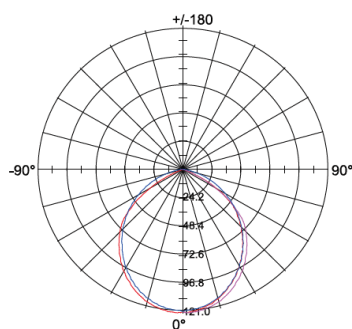
Housing Material/Colour Aluminium/White

Weight 133g

DIMENSIONS



LIGHT & LUX DISTRIBUTION CURVE



cd

Height	Center lx	Diameter
1.m	129.95 lx	274.27cm
1.5m	57.75 lx	411.40cm
2.m	32.49 lx	548.54cm
2.5m	20.79 lx	685.67cm
3.m	14.44 lx	822.81cm
4.m	8.12 lx	1097.07cm
5.m	5.20 lx	1371.34cm
6.m	3.61 lx	1645.61cm
7.m	2.65 lx	1919.88cm
8.m	2.03 lx	2194.15cm
9.m	1.60 lx	2468.42cm
10.m	1.30 lx	2742.68cm

AVERAGE BEAM ANGLE: 107°

PRODUCT FEATURES:

1. Using high lumen SMD light source
2. Using good reflectivity light, it is thinner and brighter, the light is more equally.
3. Low voltage & constant current driver, no glare, the light is soft.
4. Launch in 0.01sec, no flashing, no noise, no radiation and energy saving.
5. This product can show high brightness, without seeing the lamp itself.

LED RECESSED DOWNLIGHT

6W 75×75mm cut-out (3")



KEY DATA

Power	6W
IP Rating	IP20
Dimensions	87×87×30mm
Cut-out size	75×75mm
Luminous Flux	400Lm
Colour Temperature	4000K/6500K
Warranty	One year

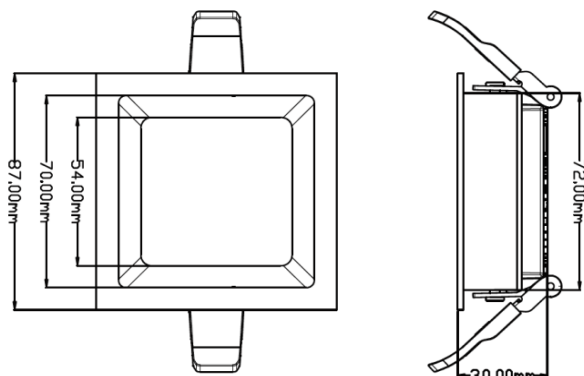
Model Number

DL SQ 06w

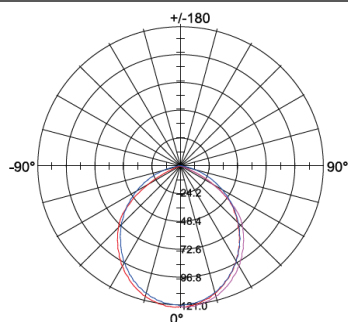
TECHNICAL SPECIFICATIONS

Input Voltage	100-240V AC
Power Factor	0.9
LED Type	SMD 2835
LED Luminous Flux	864Lm
Luminous Efficacy	70Lm/W
LED Manufacturer	RUNLITE
LED Circuit Mode	(18)S*(2)P=(36)PCS
LED Board Base Type	1060
Driver Output	54VDC 100mA
Driver Specifications	Non-Isolated
Total Circuit Power (W)	6±0.5
Electrical Class	1
Colour Rendering	>80 CRI
Lamp Viewing Angle	120°
Supply Current	22mA
Operating Temp.	-15 to +50°C
Lifespan	30,000 hours
Fire Rating	V-0
Energy Efficiency Index (EEI)	0.18 (A)
Diffuser Material	Polystyrene
Housing Material/Colour	Aluminium/White
Weight	139g

DIMENSIONS



LIGHT & LUX DISTRIBUTION CURVE



cd

Height	Center lx	Diameter
1.m	129.95 lx	274.27cm
1.5m	57.75 lx	411.40cm
2.m	32.49 lx	548.54cm
2.5m	20.79 lx	685.67cm
3.m	14.44 lx	822.81cm
4.m	8.12 lx	1097.07cm
5.m	5.29 lx	1371.34cm
6.m	3.61 lx	1645.61cm
7.m	2.65 lx	1919.88cm
8.m	2.03 lx	2194.15cm
9.m	1.60 lx	2468.42cm
10.m	1.30 lx	2742.69cm

AVERAGE BEAM ANGLE: 107°

PRODUCT FEATURES:

1. Using high lumen SMD light source
2. Using good reflectivity light, it is thinner and brighter, the light is more equally.
3. Low voltage & constant current driver, no glare, the light is soft.
4. Launch in 0.01sec, no flashing, no noise, no radiation and energy saving.
5. This product can show high brightness, without seeing the lamp itself.

LED RECESSED DOWNLIGHT

12W 115mm cut-out (4.5")



KEY DATA

Power	12W
IP Rating	IP20
Dimensions	φ125×40mm
Cut-out size	φ115mm
Luminous Flux	1000Lm
Colour Temperature	4000K/6500K
Warranty	One year

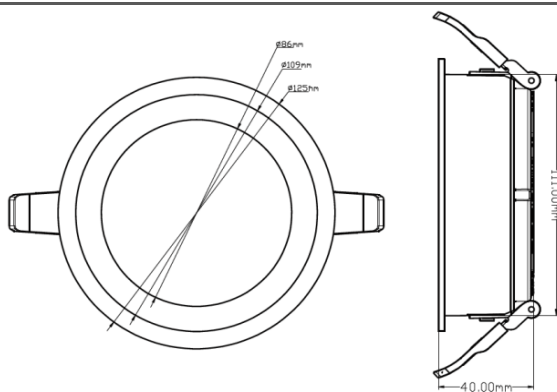
Model Number

DL RD 12w

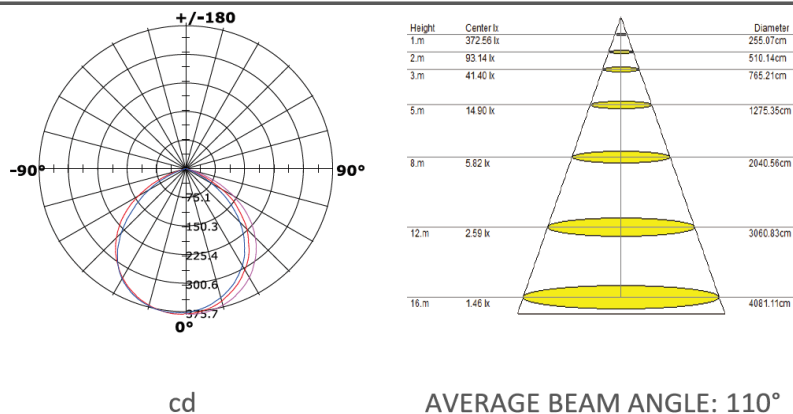
TECHNICAL SPECIFICATIONS

Input Voltage	100-240V AC
Power Factor	0.96
LED Type	SMD 2835
LED Luminous Flux	1728Lm
Luminous Efficacy	83Lm/W
LED Manufacturer	RUNLITE
LED Circuit Mode	(12)S*(6)P=(72)PCS
LED Board Base Type	1060
Driver Output	36VDC 300mA
Driver Specifications	Non-Isolated
Total Circuit Power (W)	12±1
Electrical Class	1
Colour Rendering	>80 CRI
Lamp Viewing Angle	120°
Supply Current	52mA
Operating Temp.	-15 to +50°C
Lifespan	30,000 hours
Fire Rating	V-0
Energy Efficiency Index (EEI)	0.17 (A+)
Diffuser Material	Polystyrene
Housing Material/Colour	Aluminium/White
Weight	302g

DIMENSIONS



LIGHT & LUX DISTRIBUTION CURVE



PRODUCT FEATURES:

1. Using high lumen SMD light source
2. Using good reflectivity light, it is thinner and brighter, the light is more equally.
3. Low voltage & constant current driver, no glare, the light is soft.
4. Launch in 0.01sec, no flashing, no noise, no radiation and energy saving.
5. This product can show high brightness, without seeing the lamp itself.

LED RECESSED DOWNLIGHT

12W 100×100mm cut-out (4")

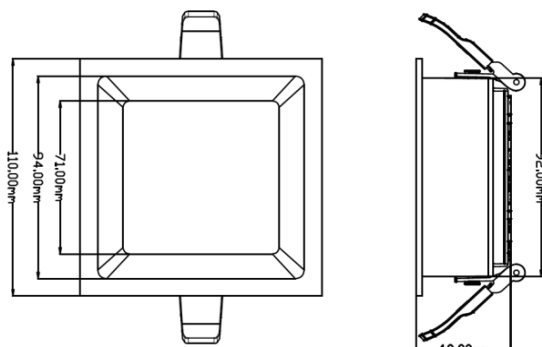
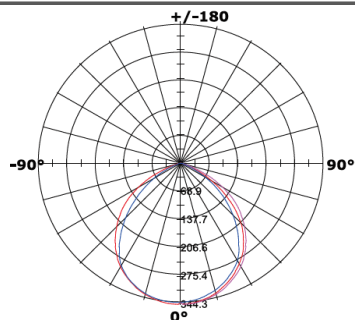
**KEY DATA**

Power	12W
IP Rating	IP20
Dimensions	110×110×40mm
Cut-out size	100×100mm
Luminous Flux	1000Lm
Colour Temperature	4000K/6500K
Warranty	One year

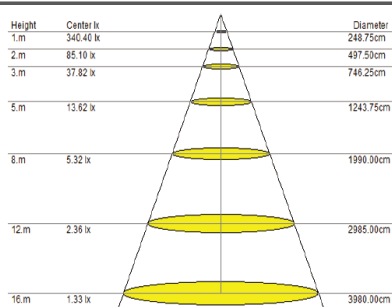
Model Number

DL SQ 12w**TECHNICAL SPECIFICATIONS**

Input Voltage	100-240V AC
Power Factor	0.96
LED Type	SMD 2835
LED Luminous Flux	1728Lm
Luminous Efficacy	83Lm/W
LED Manufacturer	RUNLITE
LED Circuit Mode	(12)S*(6)P=(72)PCS
LED Board Base Type	1060
Driver Output	36VDC 300mA
Driver Specifications	Non-Isolated
Total Circuit Power (W)	12±1
Electrical Class	1
Colour Rendering	>80 CRI
Lamp Viewing Angle	120°
Supply Current	52mA
Operating Temp.	-15 to +50°C
Lifespan	30,000 hours
Fire Rating	V-0
Energy Efficiency Index (EEI)	0.17 (A+)
Diffuser Material	Polystyrene
Housing Material/Colour	Aluminium/White
Weight	313g

DIMENSIONS**LIGHT & LUX DISTRIBUTION CURVE**

cd



AVERAGE BEAM ANGLE: 110°

PRODUCT FEATURES:

1. Using high lumen SMD light source
2. Using good reflectivity light, it is thinner and brighter, the light is more equally.
3. Low voltage & constant current driver, no glare, the light is soft.
4. Launch in 0.01sec, no flashing, no noise, no radiation and energy saving.
5. This product can show high brightness, without seeing the lamp itself.

LED RECESSED DOWNLIGHT

18W 145mm cut-out (6")



KEY DATA

Power	18W
IP Rating	IP20
Dimensions	φ155×45mm
Cut-out size	φ145mm
Luminous Flux	1600Lm
Colour Temperature	4000K/6500K
Warranty	One year

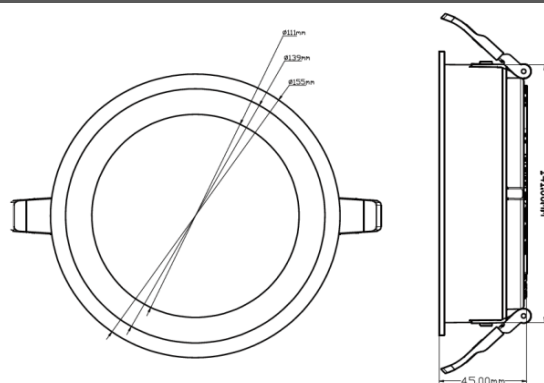
Model Number

DL RD 18w

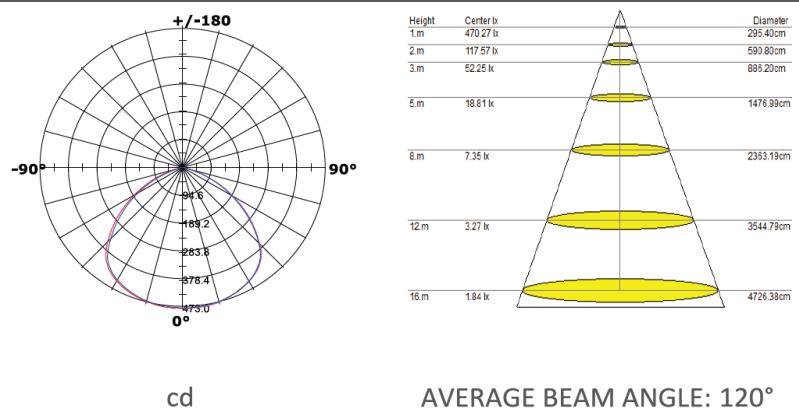
TECHNICAL SPECIFICATIONS

Input Voltage	100-240V AC
Power Factor	0.96
LED Type	SMD 2835
LED Luminous Flux	2592Lm
Luminous Efficacy	90Lm/W
LED Manufacturer	RUNLITE
LED Circuit Mode	(18)S*(6)P=(108)PCS
LED Board Base Type	1060
Driver Output	54VDC 300mA
Driver Specifications	Non-Isolated
Total Circuit Power (W)	18±2
Electrical Class	1
Colour Rendering	>80 CRI
Lamp Viewing Angle	120°
Supply Current	78mA
Operating Temp.	-15 to +50°C
Lifespan	30,000 hours
Fire Rating	V-0
Energy Efficiency Index (EEI)	0.17 (A+)
Diffuser Material	Polystyrene
Housing Material/Colour	Aluminium/White
Weight	437g

DIMENSIONS



LIGHT & LUX DISTRIBUTION CURVE



PRODUCT FEATURES:

1. Using high lumen SMD light source
2. Using good reflectivity light, it is thinner and brighter, the light is more equally.
3. Low voltage & constant current driver, no glare, the light is soft.
4. Launch in 0.01sec, no flashing, no noise, no radiation and energy saving.
5. This product can show high brightness, without seeing the lamp itself.

LED RECESSED DOWNLIGHT

18W 140×140mm cut-out (5.5")



KEY DATA

Power	18W
IP Rating	IP20
Dimensions	145×145×43mm
Cut-out size	140×140mm
Luminous Flux	1600Lm
Colour Temperature	4000K/6500K
Warranty	One year

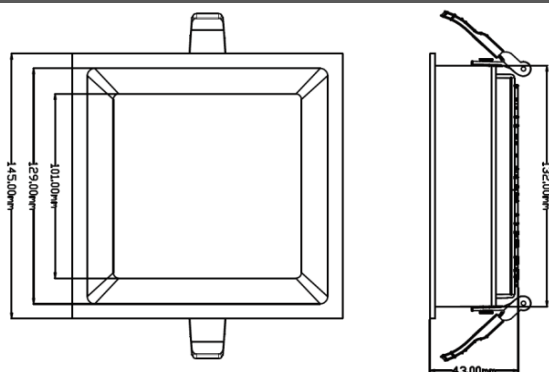
Model Number

DL SQ 18w

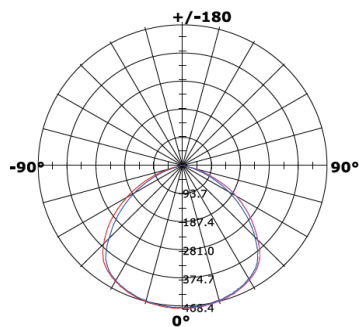
TECHNICAL SPECIFICATIONS

Input Voltage	100-240V AC
Power Factor	0.96
LED Type	SMD 2835
LED Luminous Flux	2592Lm
Luminous Efficacy	90Lm/W
LED Manufacturer	RUNLITE
LED Circuit Mode	(18)S*(6)P=(108)PCS
LED Board Base Type	1060
Driver Output	54VDC 300mA
Driver Specifications	Non-Isolated
Total Circuit Power (W)	18±2
Electrical Class	1
Colour Rendering	>80 CRI
Lamp Viewing Angle	120°
Supply Current	78mA
Operating Temp.	-15 to +50°C
Lifespan	30,000 hours
Fire Rating	V-0
Energy Efficiency Index (EEI)	0.17 (A+)
Diffuser Material	Polystyrene
Housing Material/Colour	Aluminium/White
Weight	458g

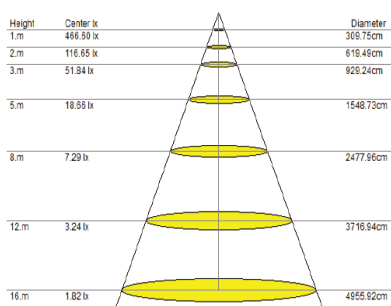
DIMENSIONS



LIGHT & LUX DISTRIBUTION CURVE



cd



AVERAGE BEAM ANGLE: 120°

PRODUCT FEATURES:

1. Using high lumen SMD light source
2. Using good reflectivity light, it is thinner and brighter, the light is more equally.
3. Low voltage & constant current driver, no glare, the light is soft.
4. Launch in 0.01sec, no flashing, no noise, no radiation and energy saving.
5. This product can show high brightness, without seeing the lamp itself.

LED RECESSED DOWNLIGHT

24W 165mm cut-out (6.5")



KEY DATA

Power	24W
IP Rating	IP20
Dimensions	φ175×43mm
Cut-out size	φ165mm
Luminous Flux	2300Lm
Colour Temperature	4000K/6500K
Warranty	One year

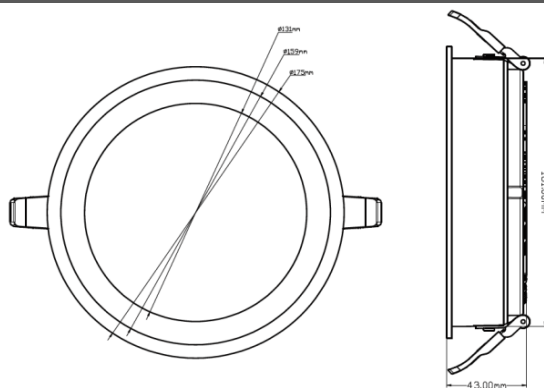
Model Number

DL RD 24w

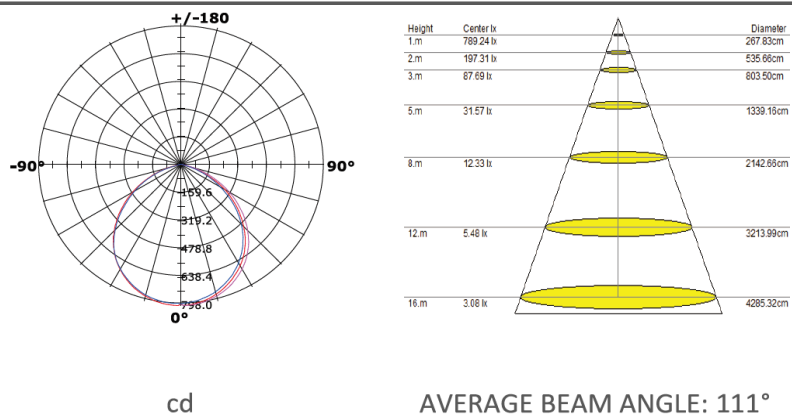
TECHNICAL SPECIFICATIONS

Input Voltage	100-240V AC
Power Factor	0.96
LED Type	SMD 2835
LED Luminous Flux	3456Lm
Luminous Efficacy	96Lm/W
LED Manufacturer	RUNLITE
LED Circuit Mode	(24)S*(6)P=(144)PCS
LED Board Base Type	1060
Driver Output	72VDC 300mA
Driver Specifications	Non-Isolated
Total Circuit Power (W)	24±2
Electrical Class	1
Colour Rendering	>80 CRI
Lamp Viewing Angle	120°
Supply Current	104mA
Operating Temp.	-15 to +50°C
Lifespan	30,000 hours
Fire Rating	V-0
Energy Efficiency Index (EEI)	0.14 (A+)
Diffuser Material	Polystyrene
Housing Material/Colour	Aluminium/White
Weight	531g

DIMENSIONS



LIGHT & LUX DISTRIBUTION CURVE



LED RECESSED DOWNLIGHT

24W 160×160mm cut-out (6.5")



KEY DATA

Power	24W
IP Rating	IP20
Dimensions	170×170×45mm
Cut-out size	160×160mm
Luminous Flux	2300Lm
Colour Temperature	4000K/6500K
Warranty	One year

Model Number

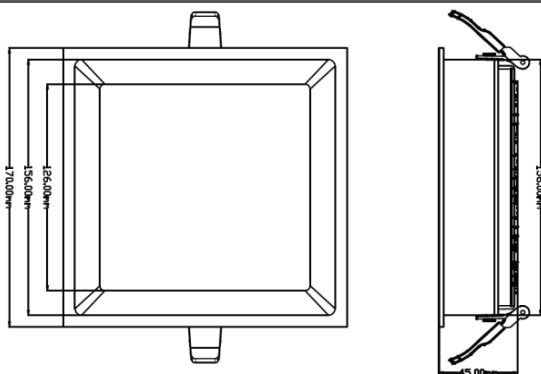
DL SQ 24w

TECHNICAL SPECIFICATIONS

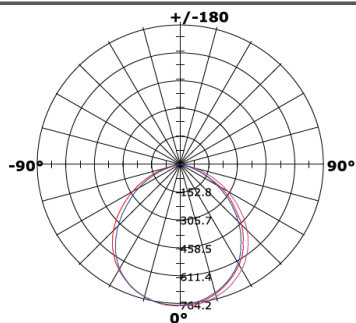
Input Voltage	100-240V AC
Power Factor	0.96
LED Type	SMD 2835
LED Luminous Flux	3456Lm
Luminous Efficacy	96Lm/W
LED Manufacturer	RUNLITE
LED Circuit Mode	(24)S*(6)P=(144)PCS
LED Board Base Type	1060
Driver Output	72VDC 300mA
Driver Specifications	Non-Isolated
Total Circuit Power (W)	24±2
Electrical Class	1
Colour Rendering	>80 CRI
Lamp Viewing Angle	120°
Supply Current	104mA
Operating Temp.	-15 to +50°C
Lifespan	30,000 hours
Fire Rating	V-0
Energy Efficiency Index (EEI)	0.14 (A+)

Diffuser Material	Polystyrene
Housing Material/Colour	Aluminium/White
Weight	566g

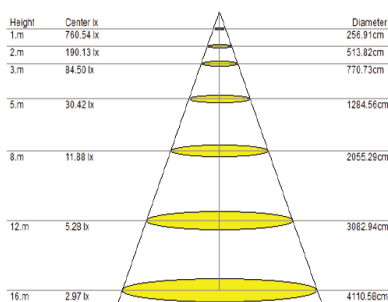
DIMENSIONS



LIGHT & LUX DISTRIBUTION CURVE



cd



AVERAGE BEAM ANGLE: 111°

PRODUCT FEATURES:

1. Using high lumen SMD light source
2. Using good reflectivity light, it is thinner and brighter, the light is more equally.
3. Low voltage & constant current driver, no glare, the light is soft.
4. Launch in 0.01sec, no flashing, no noise, no radiation and energy saving.
5. This product can show high brightness, without seeing the lamp itself.

LED RECESSED DOWNLIGHT

32W 200mm cut-out (8")



KEY DATA

Power	32W
IP Rating	IP20
Dimensions	φ220×52mm
Cut-out size	φ200mm
Luminous Flux	3100Lm
Colour Temperature	4000K/6500K
Warranty	One year

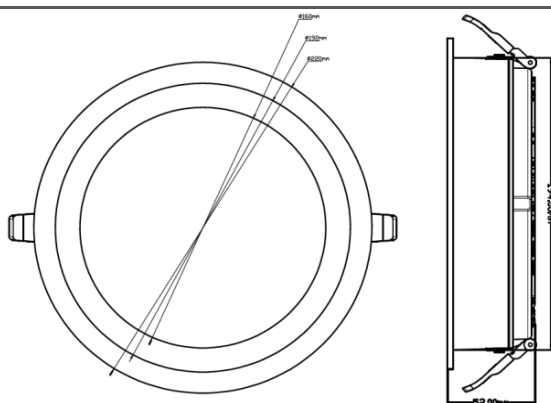
Model Number

DL RD 32w

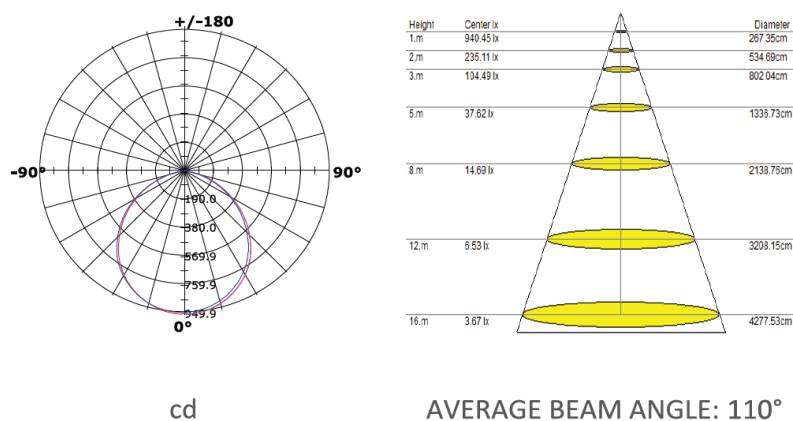
TECHNICAL SPECIFICATIONS

Input Voltage	100-240V AC
Power Factor	0.96
LED Type	SMD 2835
LED Luminous Flux	4032Lm
Luminous Efficacy	97Lm/W
LED Manufacturer	RUNLITE
LED Circuit Mode	(24)S*(7)P=(168)PCS
LED Board Base Type	1060
Driver Output	72VDC 400mA
Driver Specifications	Non-Isolated
Total Circuit Power (W)	32±2
Electrical Class	1
Colour Rendering	>80 CRI
Lamp Viewing Angle	120°
Supply Current	139mA
Operating Temp.	-15 to +50°C
Lifespan	30,000 hours
Fire Rating	V-0
Energy Efficiency Index (EEI)	0.16 (A+)
Diffuser Material	Polystyrene
Housing Material/Colour	Aluminium/White
Weight	918g

DIMENSIONS



LIGHT & LUX DISTRIBUTION CURVE



PRODUCT FEATURES:

1. Using high lumen SMD light source
2. Using good reflectivity light, it is thinner and brighter, the light is more equally.
3. Low voltage & constant current driver, no glare, the light is soft.
4. Launch in 0.01sec, no flashing, no noise, no radiation and energy saving.
5. This product can show high brightness, without seeing the lamp itself.

LED RECESSED DOWNLIGHT

32W 200×200mm cut-out (8")

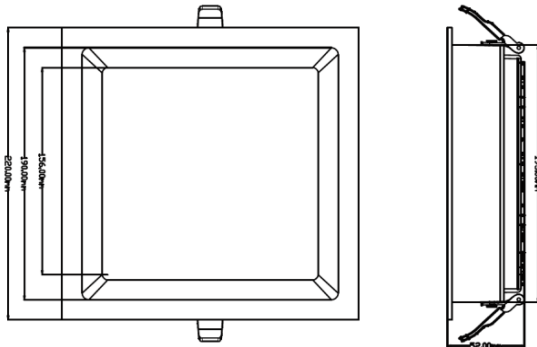
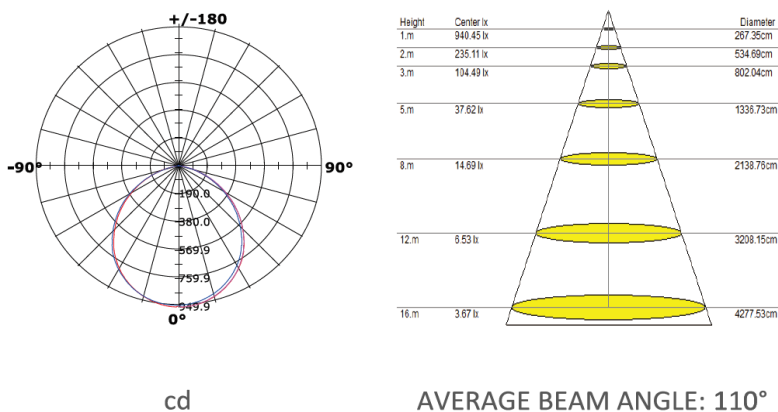
**KEY DATA**

Power	32W
IP Rating	IP20
Dimensions	220×220×52mm
Cut-out size	200×200mm
Luminous Flux	3100Lm
Colour Temperature	4000K/6500K
Warranty	One year

Model Number

DL SQ 32w**TECHNICAL SPECIFICATIONS**

Input Voltage	100-240V AC
Power Factor	0.96
LED Type	SMD 2835
LED Luminous Flux	4032Lm
Luminous Efficacy	97Lm/W
LED Manufacturer	RUNLITE
LED Circuit Mode	(24)S*(7)P=(168)PCS
LED Board Base Type	1060
Driver Output	72VDC 400mA
Driver Specifications	Non-Isolated
Total Circuit Power (W)	32±2
Electrical Class	1
Colour Rendering	>80 CRI
Lamp Viewing Angle	120°
Supply Current	139mA
Operating Temp.	-15 to +50°C
Lifespan	30,000 hours
Fire Rating	V-0
Energy Efficiency Index (EEI)	0.16 (A+)
Diffuser Material	Polystyrene
Housing Material/Colour	Aluminium/White
Weight	1084g

DIMENSIONS**LIGHT & LUX DISTRIBUTION CURVE****PRODUCT FEATURES:**

1. Using high lumen SMD light source
2. Using good reflectivity light, it is thinner and brighter, the light is more equally.
3. Low voltage & constant current driver, no glare, the light is soft.
4. Launch in 0.01sec, no flashing, no noise, no radiation and energy saving.
5. This product can show high brightness, without seeing the lamp itself.

LED DOWNLIGHT

Summary

Model Number	Description	Power	Colour Temperature	Lumens
DL RD 06w	φ77mm cut-out (3")	6w	4000k,6500k	400Lm
DL SQ 06w	75×75mm cut-out (3")	6w	4000k,6500k	400Lm
DL RD 12w	φ115mm cut-out (4,5")	12w	4000k,6500k	1000Lm
DL SQ 12w	100×100mm cut-out (4")	12w	4000k,6500k	1000Lm
DL RD 18w	φ145mm cut-out (6")	18w	4000k,6500k	1600Lm
DL SQ 18w	140×140mm cut-out (5,5")	18w	4000k,6500k	1600Lm
DL RD 24w	φ165mm cut-out (6,5")	24w	4000k,6500k	2300Lm
DL SQ 24w	160×160mm cut-out (6,5")	24w	4000k,6500k	2300Lm
DL RD 32w	φ200mm cut-out (8")	32w	4000k,6500k	3100Lm
DL SQ 32w	200×200mm cut-out (8")	32w	4000k,6500k	3100Lm