

## LED RECESSED PANEL LIGHT

40W 285×285mm cut-out (11")



## KEY DATA

Power	40W
IP Rating	IP20
Cut-out size	285×285mm
Dimensions	300×300×30mm
Luminous Flux	4000Lm
Colour Temperature	4000K/6500K
Warranty	One year

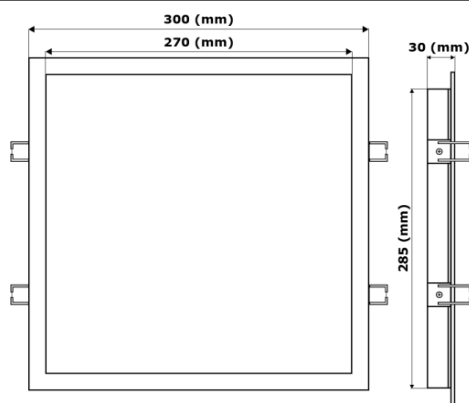
Model Number

PL SQ 40w

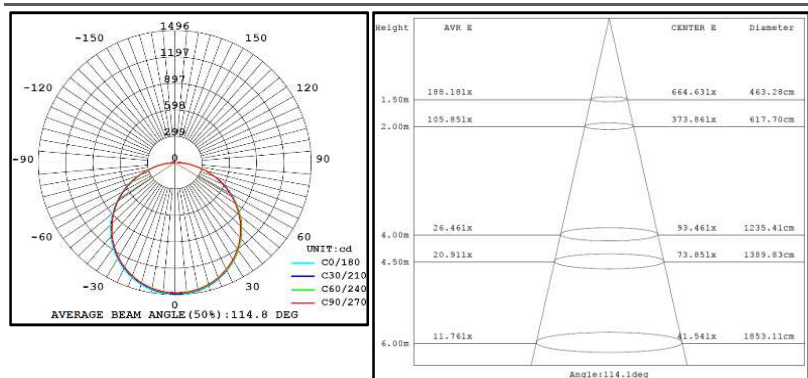
## TECHNICAL SPECIFICATIONS

Input Voltage	100-240VAC
Power Factor	0.98
LED Type	SMD 2835
Luminous Efficacy (Lm/W)	100
LED Manufacturer	SANAN
LED Qty (pcs)	200
Driver Output	34VDC 1200mA
Driver Specifications	Isolated
Total Circuit Power (W)	40±2
Electrical Class	1
Colour Rendering	>80 CRI
Lamp Viewing Angle	120°
Supply Current	199mA
Operating Temp.	-15 to +50°C
Lifespan	30,000 hours
Fire Rating	V-0
Energy Efficiency Index (EEI)	A+
Diffuser Material	Polystyrene
Housing Material/Colour	Aluminium/White

## DIMENSIONS



## LIGHT &amp; LUX DISTRIBUTION CURVE



## PRODUCT FEATURES:

1. Using high lumen SMD light source
2. Using good reflectivity light, it is thinner and brighter, the light is more equally.
3. Low voltage & constant current driver, no glare, the light is soft.
4. Launch in 0.01sec, no flashing, no noise, no radiation and energy saving.
5. This product can show high brightness, without seeing the lamp itself.