

LED RECESSED PANEL LIGHT

18W 140x140mm cut-out (5.5")



KEY DATA

| | |
|--------------------|--------------|
| Power | 18W |
| IP Rating | IP20 |
| Dimensions | 150x150x27mm |
| Cut-out size | 140x140mm |
| Luminous Flux | 1600Lm |
| Colour Temperature | 4000K/6500K |
| Warranty | One year |

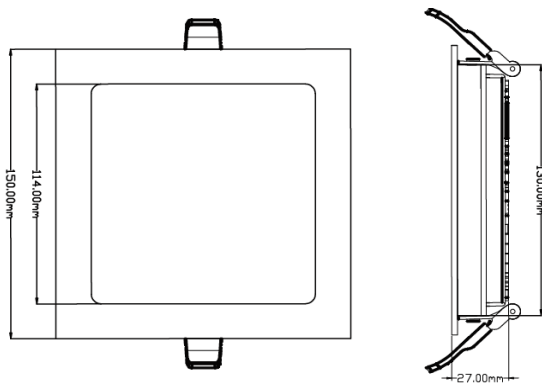
Model Number

PL SQ 18w

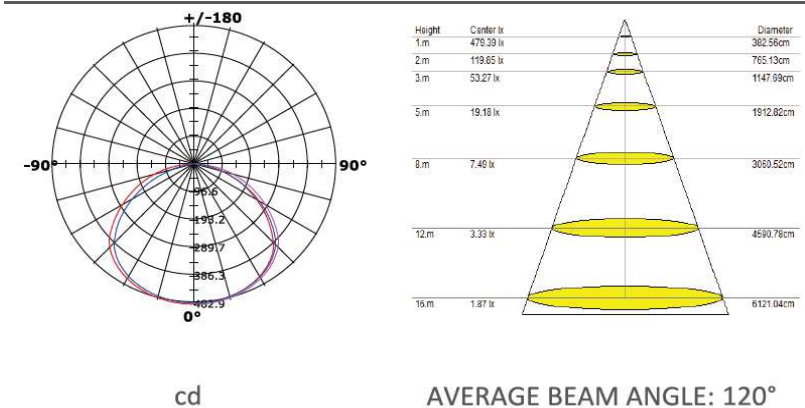
TECHNICAL SPECIFICATIONS

| | |
|-------------------------------|---------------------|
| Input Voltage | 100-240V AC |
| Power Factor | 0.96 |
| LED Type | SMD 2835 |
| LED Luminous Flux | 2592Lm |
| Luminous Efficacy | 90Lm/W |
| LED Manufacturer | RUNLITE |
| LED Circuit Mode | (18)S*(6)P=(108)PCS |
| LED Board Base Type | 1060 |
| Driver Output | 54VDC 300mA |
| Driver Specifications | Non-Isolated |
| Total Circuit Power (W) | 18±2 |
| Electrical Class | 1 |
| Colour Rendering | >80 CRI |
| Lamp Viewing Angle | 120° |
| Supply Current | 78mA |
| Operating Temp. | -15 to +50°C |
| Lifespan | 30,000 hours |
| Fire Rating | V-0 |
| Energy Efficiency Index (EEI) | 0.17 (A+) |
| Diffuser Material | Polystyrene |
| Housing Material/Colour | Aluminium/White |
| Weight | 720g |

DIMENSIONS



LIGHT & LUX DISTRIBUTION CURVE



PRODUCT FEATURES:

1. Using high lumen SMD light source
2. Using good reflectivity light, it is thinner and brighter, the light is more equally.
3. Low voltage & constant current driver, no glare, the light is soft.
4. Launch in 0.01sec, no flashing, no noise, no radiation and energy saving.
5. This product can show high brightness, without seeing the lamp itself.